

Strat

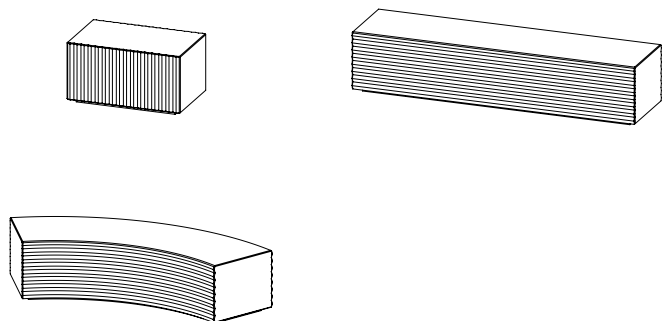
Durbanis
2020

Sizes in cm

Material: Concrete bench colored in mass.

Weight: STRAT 80 395kg. / STRAT 200 1.000kg. / STRAT CURVE 840kg.

durbanis



Placement system

Handling with long polyester slings.

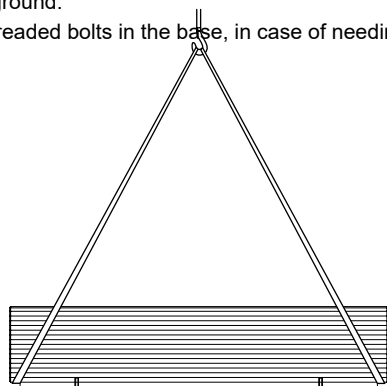
Supported on the ground.

All models have threaded bolts in the base, in case of needing extra fixation.

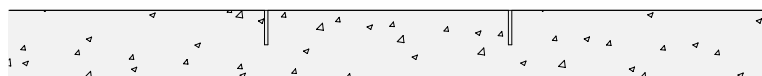
Handling with long polyester slings.

Supported on the ground.

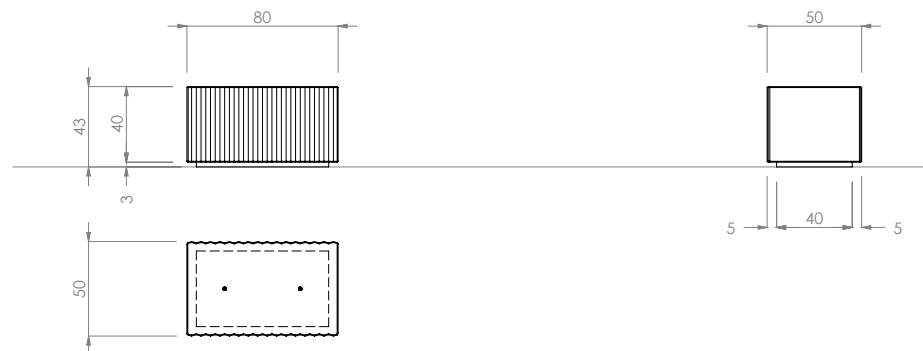
All models have threaded bolts in the base, in case of needing extra fixation.



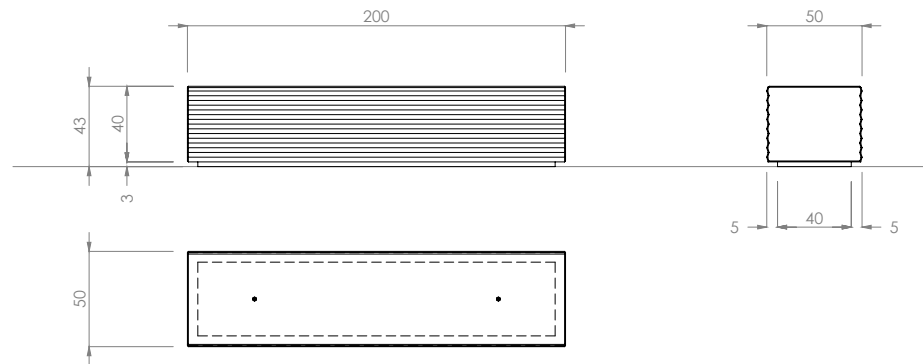
Ø 40mm



STRAT 80



STRAT 200



STRAT CURVE

