

# Rio

Durbanis  
2016

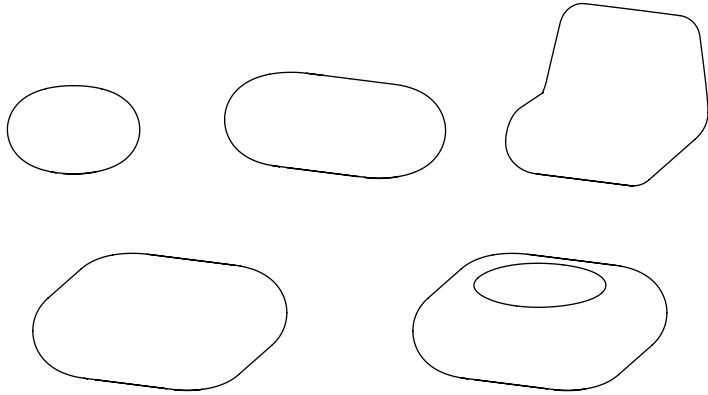
# durbanis

Sizes in cm

Material: Polyethylene LDPE. UV Resistance.

Weight: Rio S 13kg. / Rio M 25kg. / Rio XL 45kg. / Rio XL Planter 50kg. /

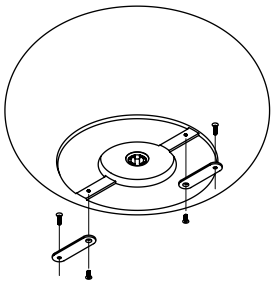
Rio L 40kg.



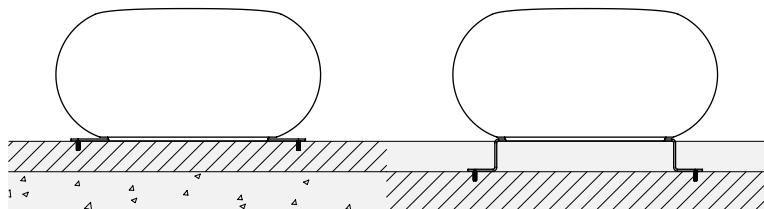
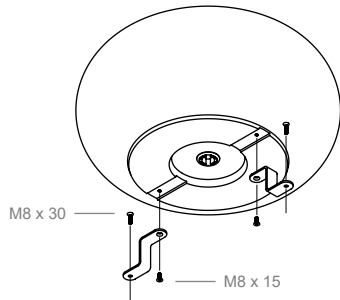
## Placement system

Mounting options: Free standing / Direct fixing by drilling the pavement and fill with resin or mortar / Filling with water or sand / Removable fixing with brackets.

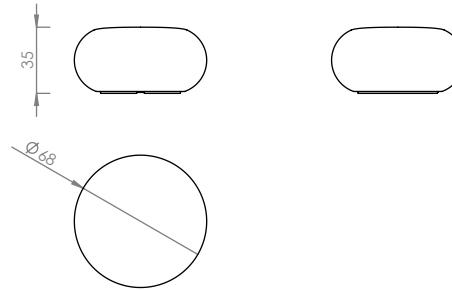
Removable fixing for  
Surface Mounting



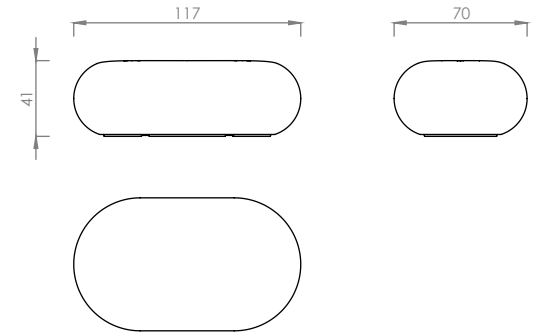
Removable fixing for  
Subterranean Mounting



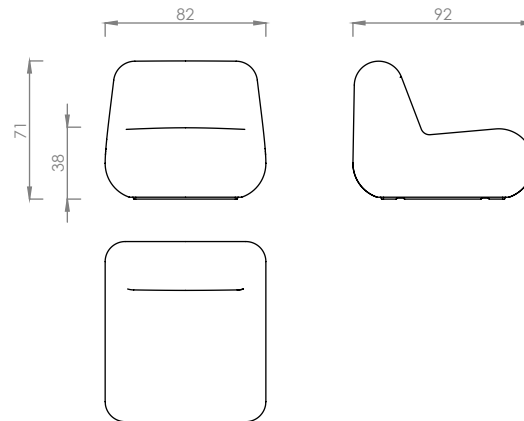
## RIO S



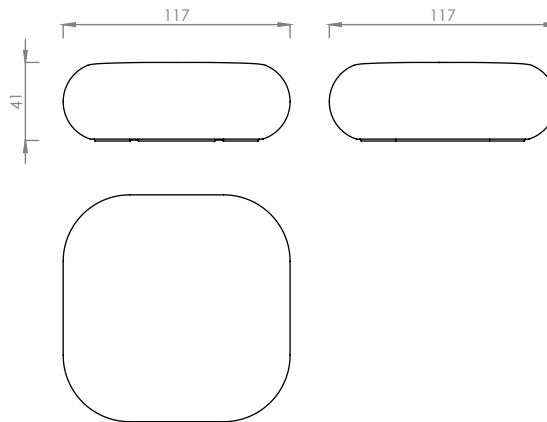
## RIO M



## RIO L



## RIO XL



## RIO XL PLANTER

