

# Làmina

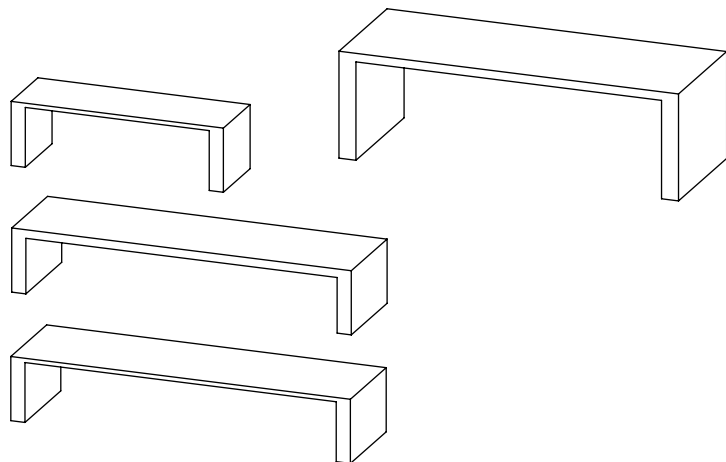
Durbanis  
2009

# durbanis

Sizes in cm

Material: Concrete bench colored in mass.

Weight: L. 150, 150kg. / L. 240, 500kg. / L. UPHC, 350kg. / L. Table, 850kg.

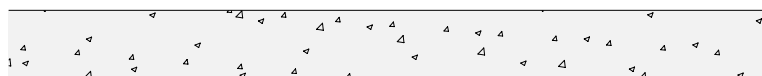
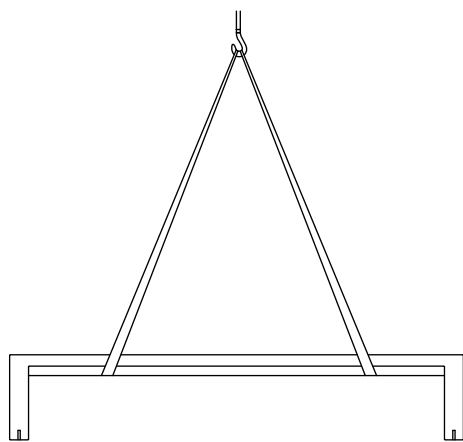


## Placement system

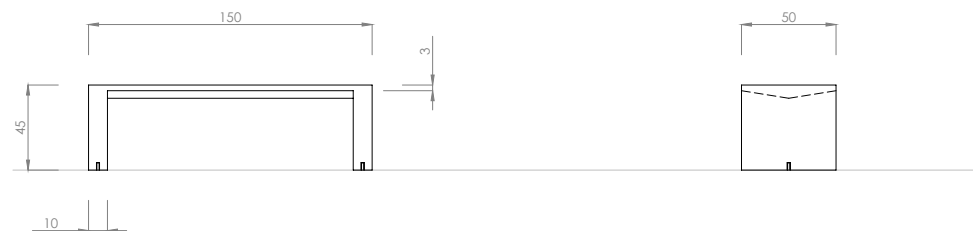
Handling with long polyester slings.

Supported on the ground.

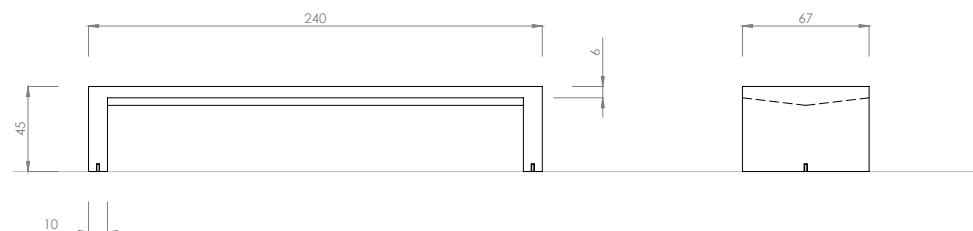
All the models have a threaded bolts in the base, in case of needing extra fixation.



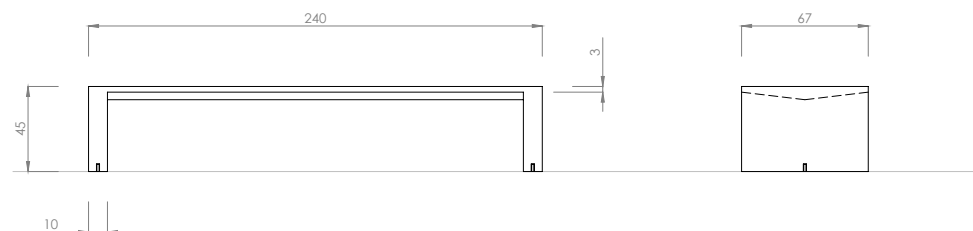
LÀMINA 150



LÀMINA 240



LÀMINA UHPC



LÀMINA TABLE

