

L Planter

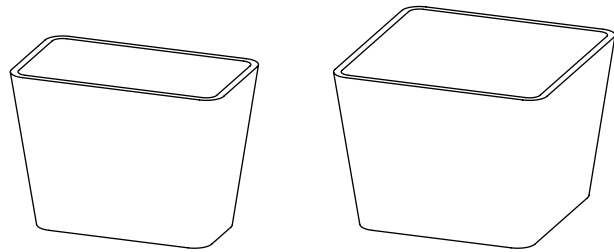
Durbanis
2014

durbanis

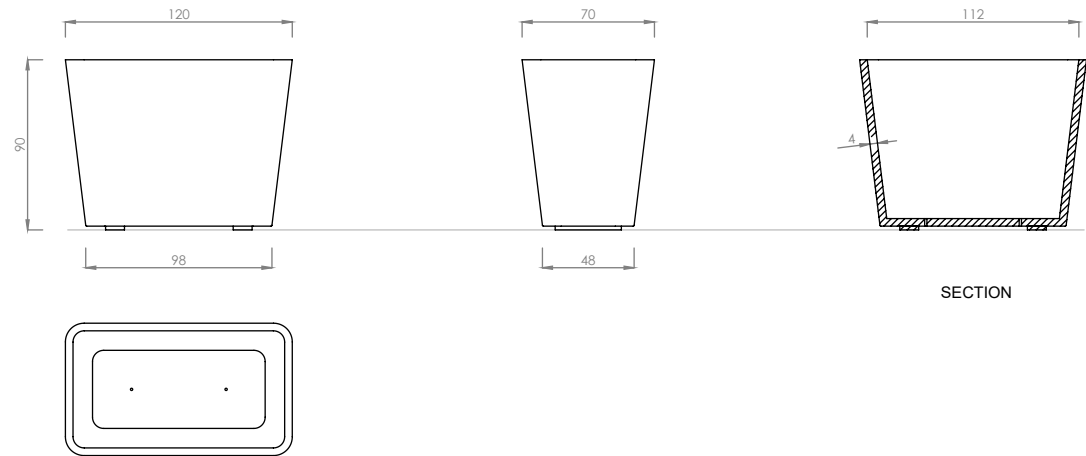
Sizes in cm

Material: Concrete table colored in mass.

Weight: L Planter-S 450kg. / L Planter-L 600kg.



L PLANTER - S

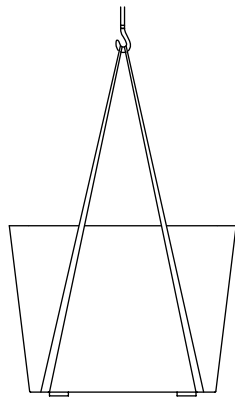


Placement system

Handling with long polyester slings.

Supported on the ground.

It has threaded bolts in the base, in case of needing extra fixation.



L PLANTER - L

