

# Cristal

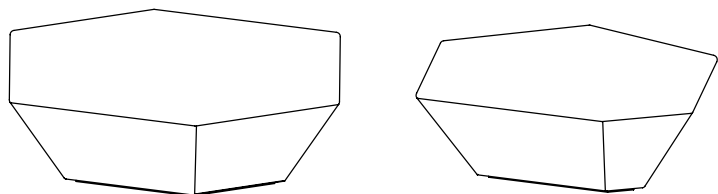
German Rubio  
2013

# durbanis

Sizes in cm

Material: Concrete bench colored in mass, acid etched and waterproofed.

Weight: Cristal L 1400kg / Cristal S 950kg.

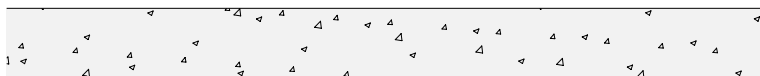
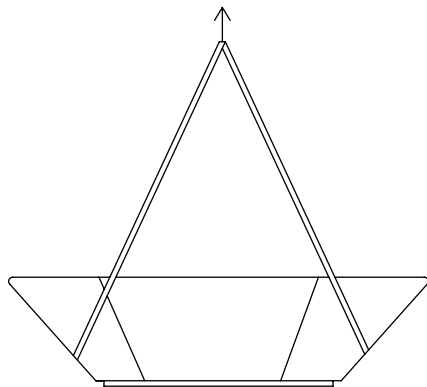


## Placement system

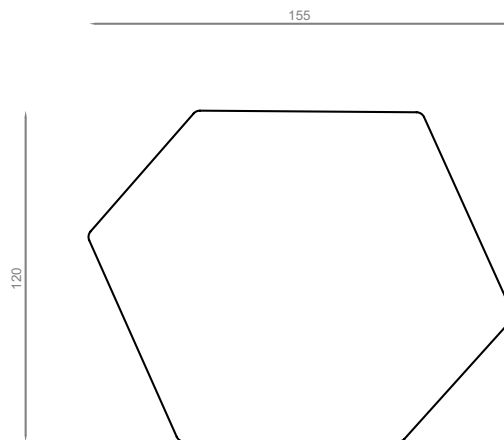
Handling with long polyester slings.

Supported on the ground.

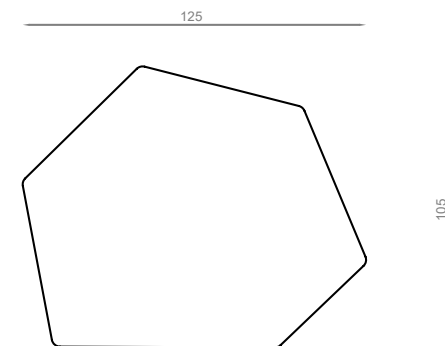
All models have a threaded bolt in the base, in case of needing extra fixation.



CRISTAL L



CRISTAL S



# Cristal

German Rubio  
2013

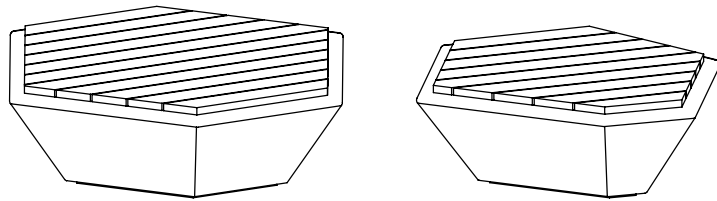
# durbanis

Sizes in cm

Material: Concrete bench colored in mass, acid etched and waterproofed.

Wood surface in Bolondo wood with antitann and monocoat protection.

Weight: Cristal L - Wood 1430kg / Cristal S - Wood 970kg.

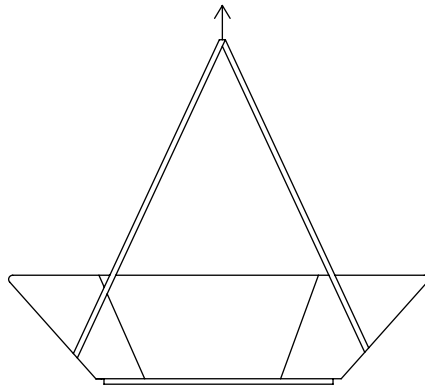


## Placement system

Handling with long polyester slings.

Supported on the ground.

All models have a threaded bolt in the base, in case of needing extra fixation.



CRISTAL L - WOOD

CRISTAL S - WOOD

