

# Bru

Durbanis  
2019

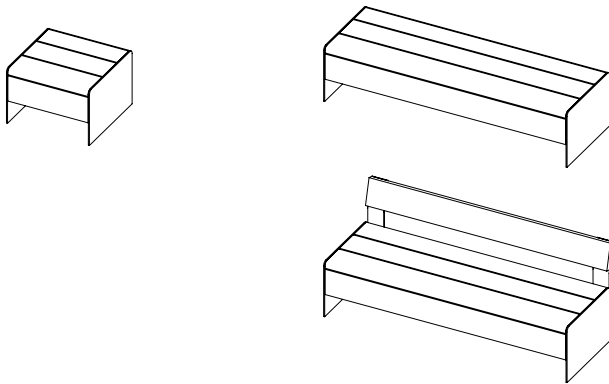
Sizes in cm

Material: FSC wood.

Metal finish: Shot blasting steel with epoxy primer and powder painting.

Choice of shot blasting stainless steel and powder painting.

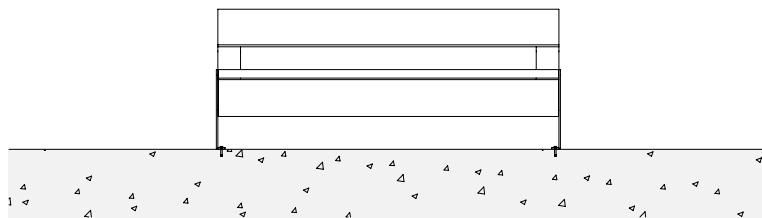
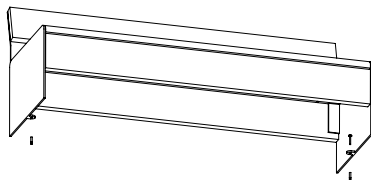
Weight: Bru Pouf 40kg / Bru 90kg. / Bru Backrest 120kg.



## Placement system

Hosting with pallet holder

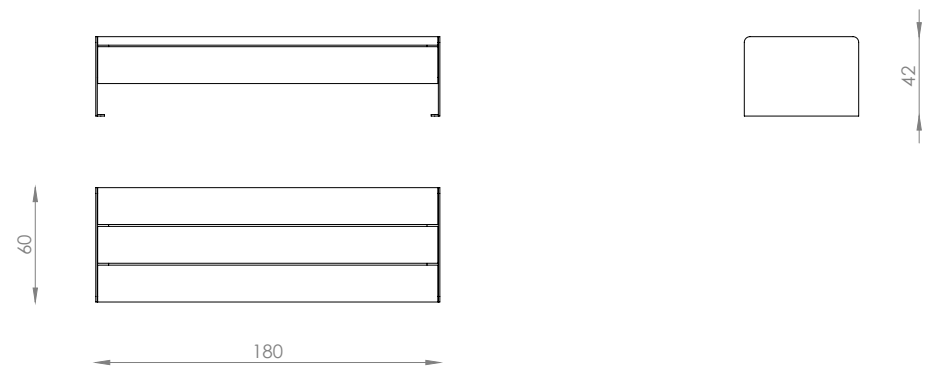
Fixing with bolts



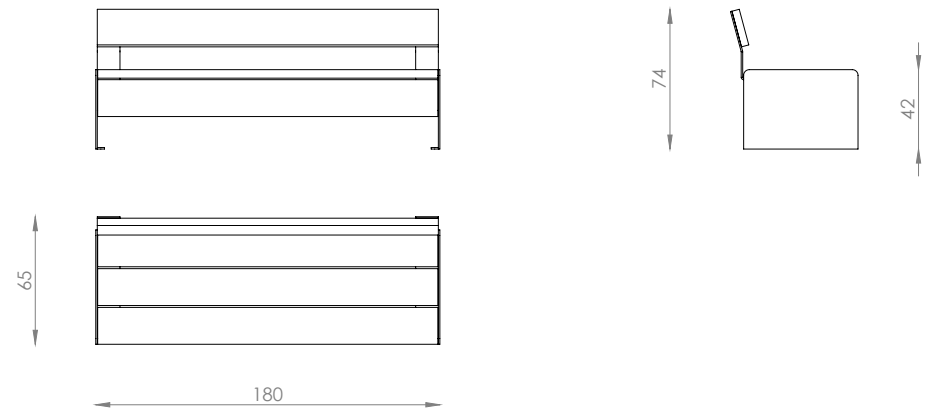
## BRU POUF



## BRU



## BRU BACKREST



# durbanis