

CONCENTRICA

Durbanis
2009

durbanis

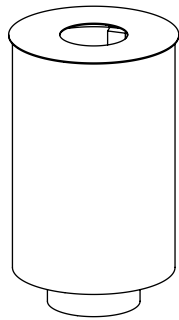
Sizes in cm

Material: Painted steel litter bin.

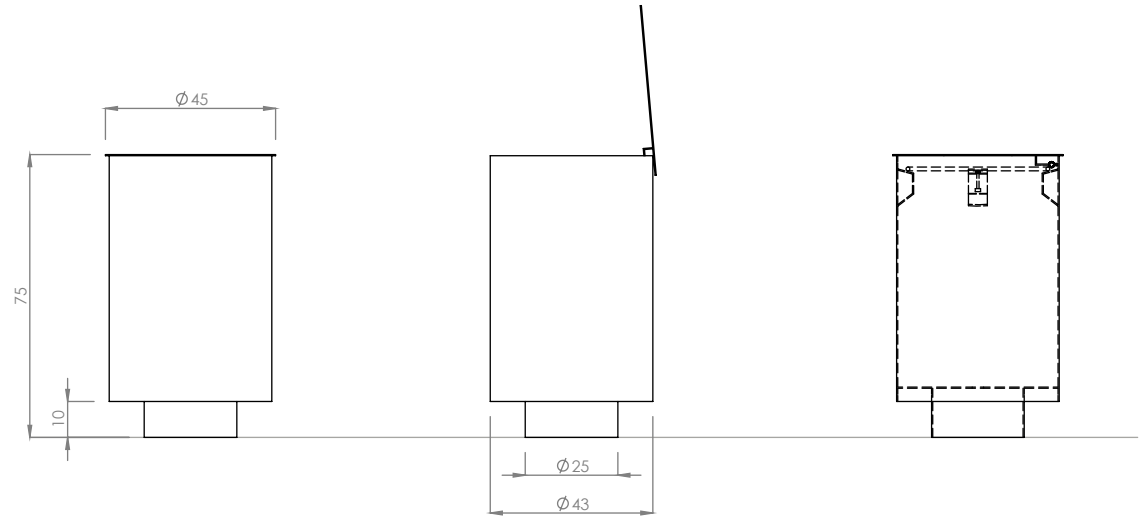
3mm galvanized sheet steel, with epoxy powder primer and powder coating.

Volume: 70L.

Weight: 25kg.



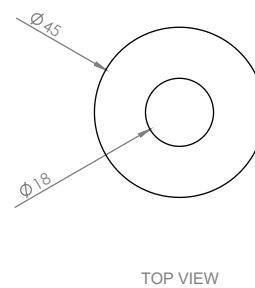
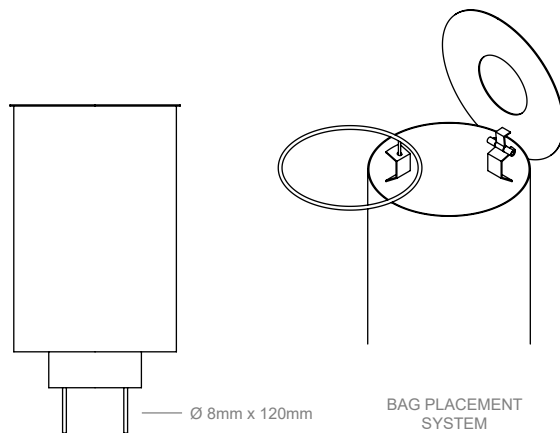
CONCENTRICA



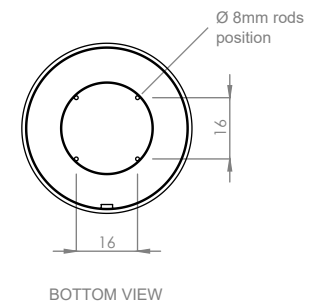
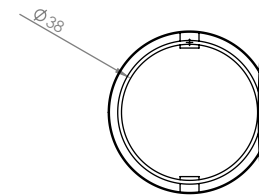
Placement system

Fixing with 4 rods of \varnothing 8mm.

Drill previously the pavement, fill it with resin or fat mortar and place the litter bin rods into the holes.



TOP VIEW



BOTTOM VIEW

