

Cinnamon-S

Durbanis
2017

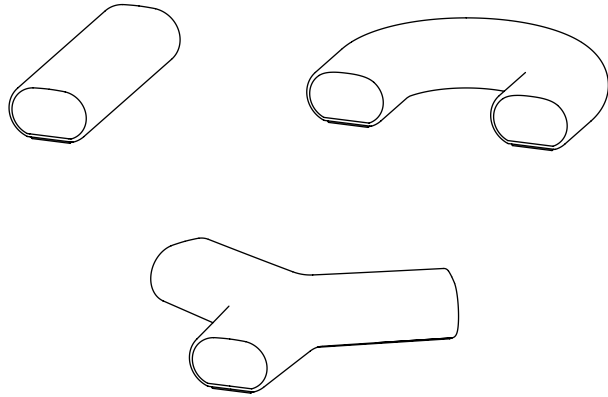
durbanis

Sizes in cm

Material: Concrete bench colored in mass.

Weight: Cinnamon-S Straight 1.000kg / Cinnamon-S Curve 1.700kg.

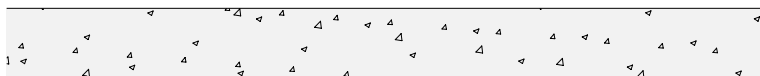
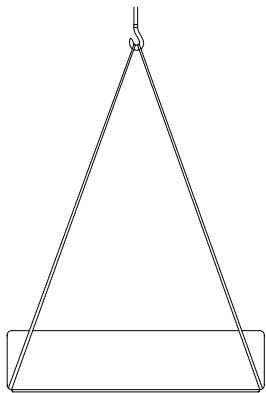
Cinnamon-S Star 1.800kg



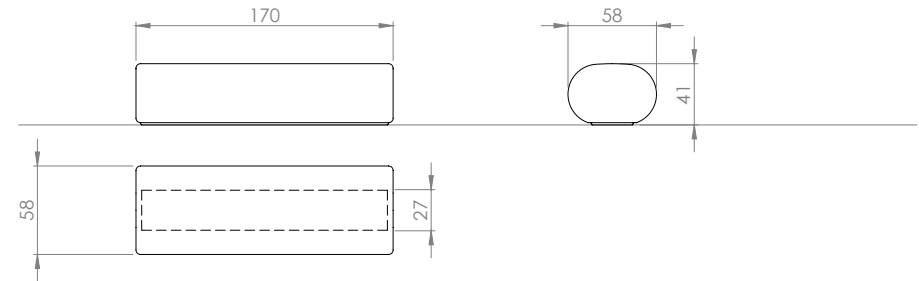
Placement system

Handling with long polyester slings.

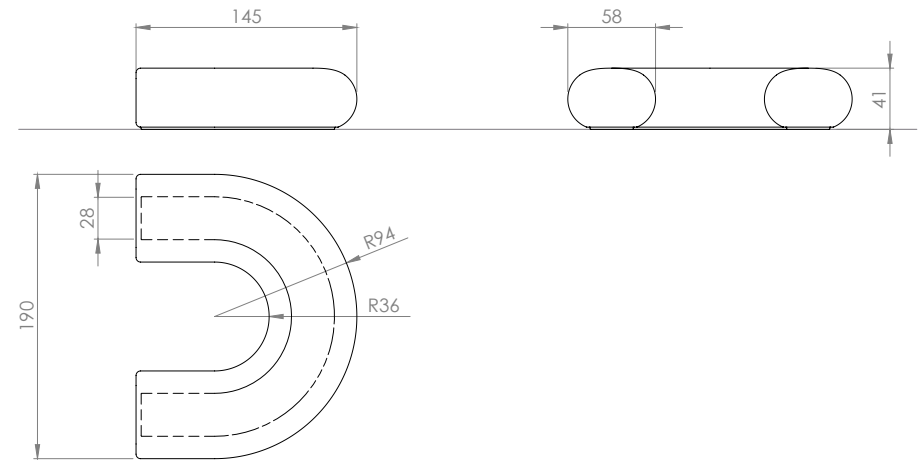
Supported on the ground.



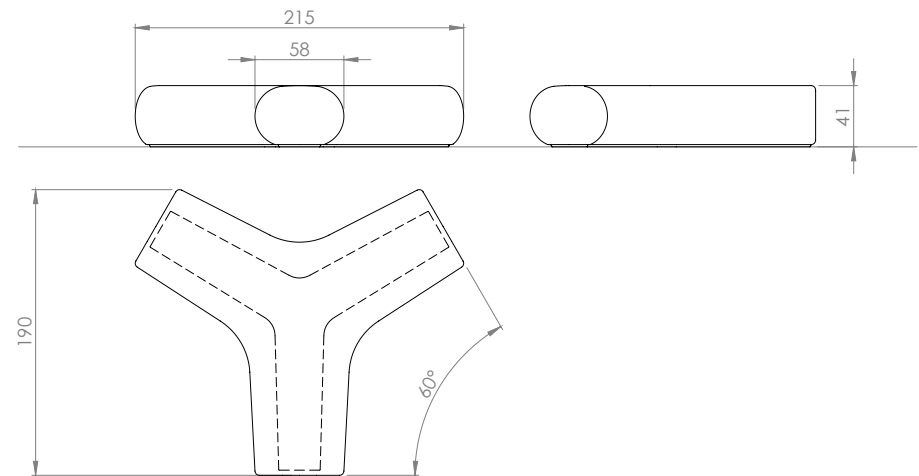
CINNAMON-S STRAIGHT



CINNAMON-S CURVE



CINNAMON-S STAR



Cinnamon-L

Durbanis
2017

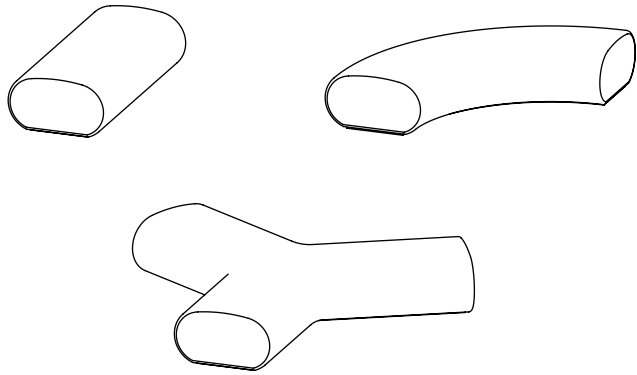
durbanis

Sizes in cm

Material: Concrete bench colored in mass.

Weight: Cinnamon-L Straight 1.000kg / Curve-L 1.300kg.

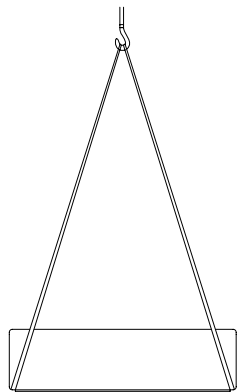
Cinnamon-L Star 2.300kg



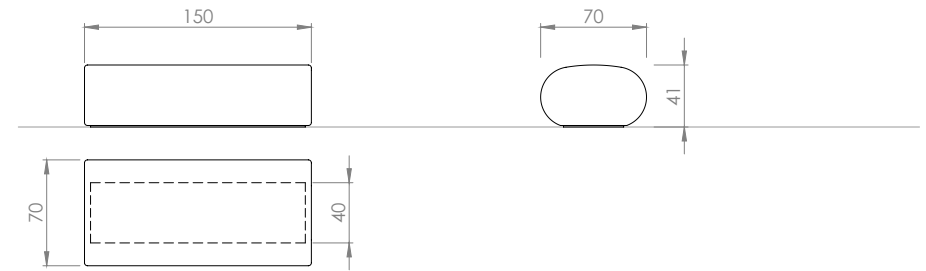
Placement system

Handling with long polyester slings.

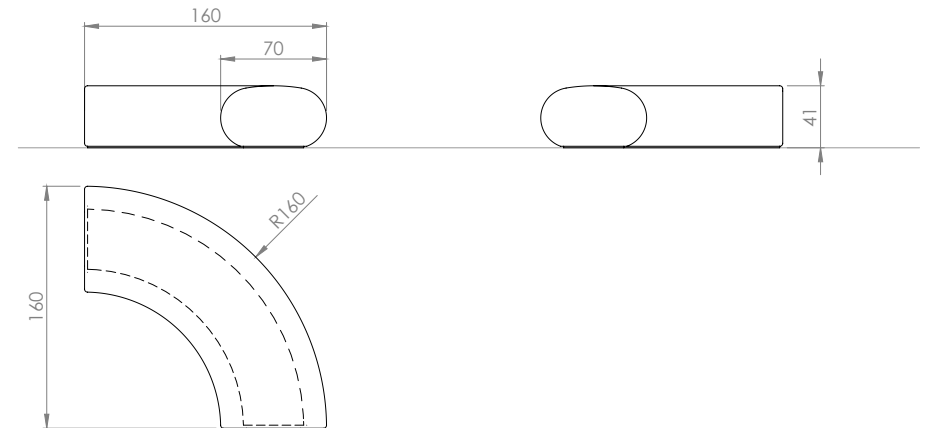
Supported on the ground.



CINNAMON-L STRAIGHT



CINNAMON-L CURVE



CINNAMON-L STAR

