

# CILAR

Durbanis  
2008

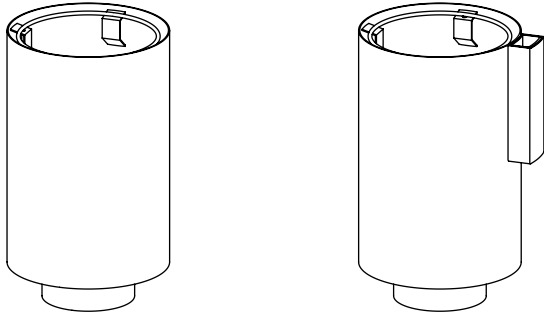
# durbanis

Sizes in cm

Material: Painted steel litter bin. 3mm galvanized sheet steel, with epoxy powder primer and powder coating.

Volume: 70L.

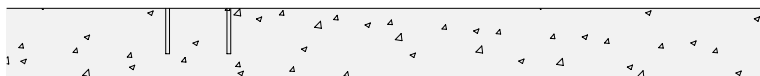
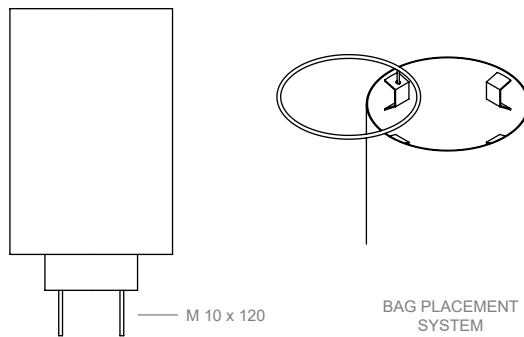
Weight: Cilar 20kg. / Cilar Ashtray 22kg.



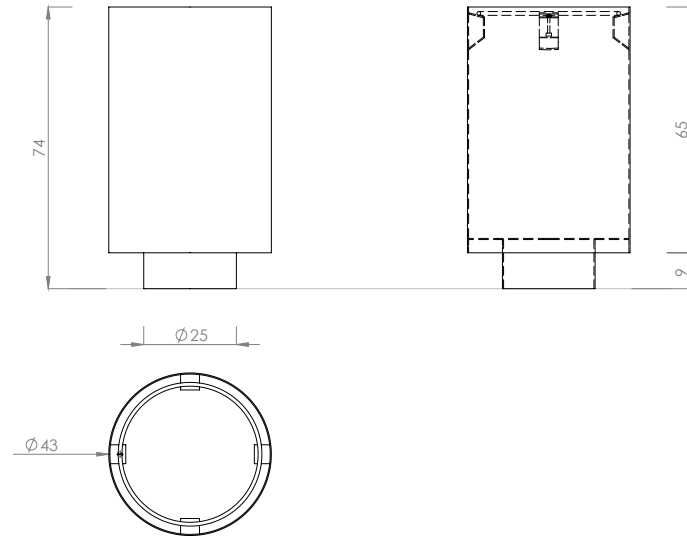
## Placement system

Fixing with bolts. Drill previously the pavement and fill with resin or fat mortar.

Packing in pallets of 2/6 units.



## CILAR



## CILAR ASHTRAY

