

Cell

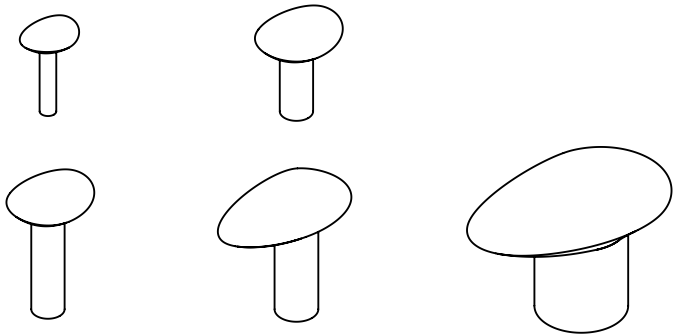
Àlex Fernández Camps
2009

Sizes in cm

Material: Concrete set of seats and tables.

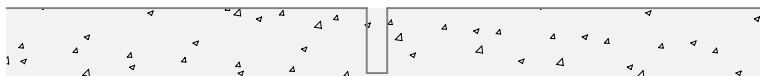
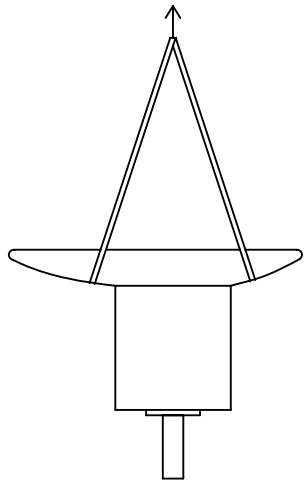
Armed: steel welded with corrugated steel mesh B500 S (UNE3092) Leg of galvanized steel and painted in gray anthracite textured powder.

Weight: Cell Chairs 18kg / 32kg. Cell Tables 35kg / 50kg / 92kg.



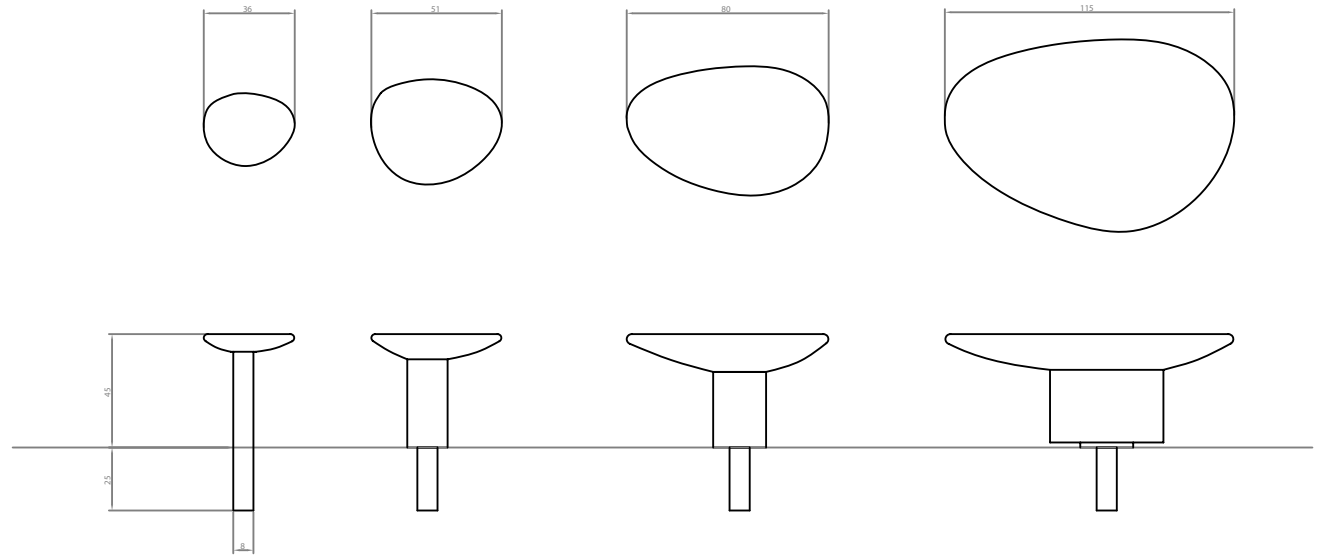
Placement system

The installation is made by embedding the base in a hole previously made in the pavement and filled with anchor mortar.



durbanis

CELL SEATS



CELL TABLES

