

Milou

Durbanis
2024

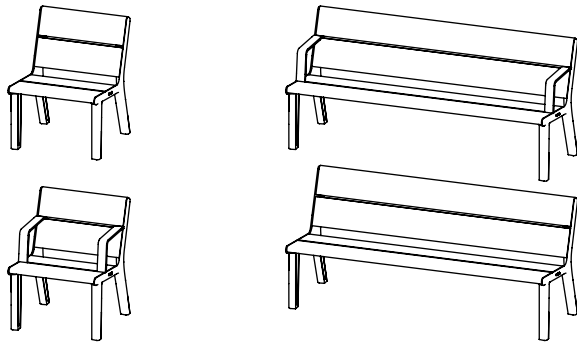
durbanis

Sizes in cm

Structure in cast aluminum EN-AC-51100 AG3 with anodized finish.

Seat and backrest with wooden slats of PEFC™ nordic pine with neutral oil, or FSC certified bolondo with anti-tannin and monolayer oil protection.

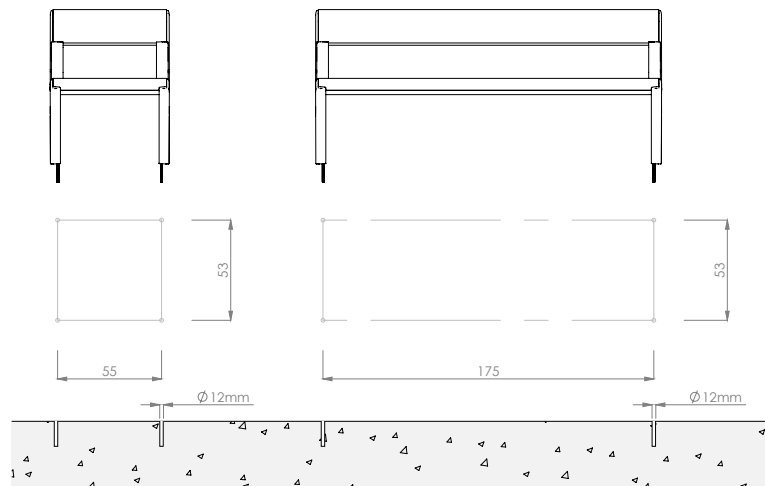
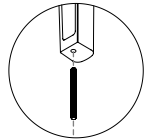
Weight: Milou 60 (21kg) / Milou 60 Armrest (25kg) / Milou 180 (46kg) / Milou 180 Armrest (50kg)



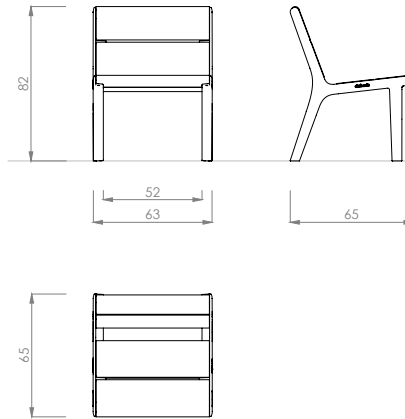
Placement system

Fixed by means of four M10x120 bolts embedded in the pavement and filled with epoxy resin, fast cement or similar.

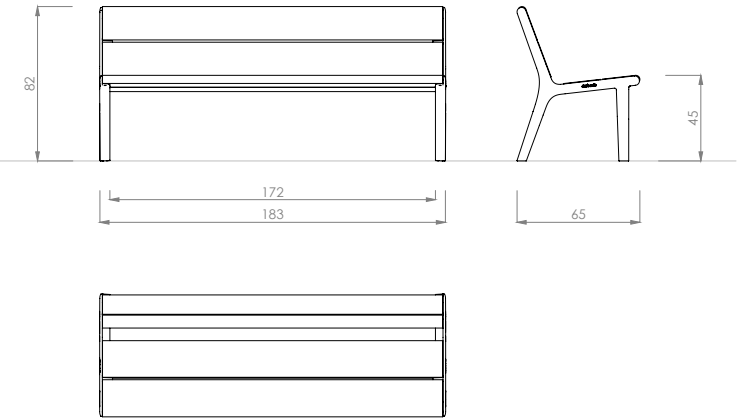
Tightly screw 4 bolts M10 x 120.
Drill pavement $\varnothing 12$ mm holes and fill with resin.



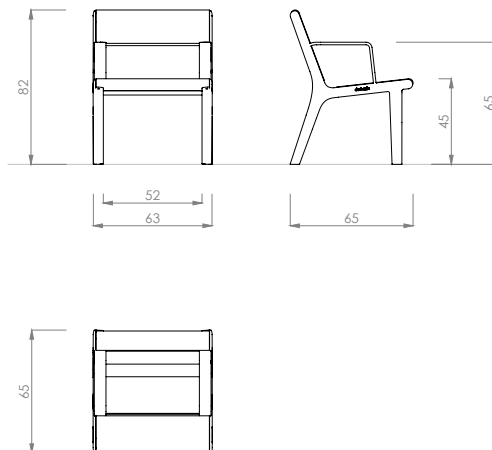
MILOU 60



MILOU 180



MILOU 60 ARMREST



MILOU 180 ARMREST

