

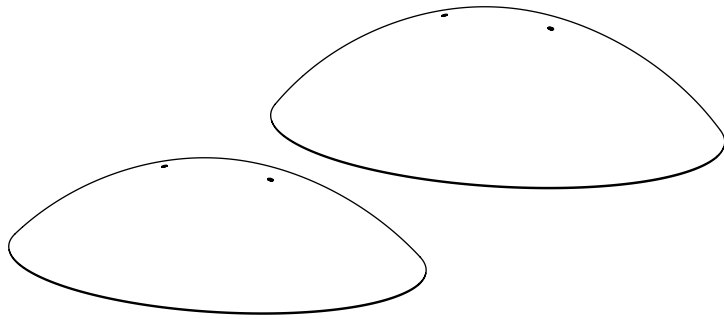
Islands

Durbanis
2019

Sizes in cm

Material: Reinforced concrete landscape element, colored in mass.

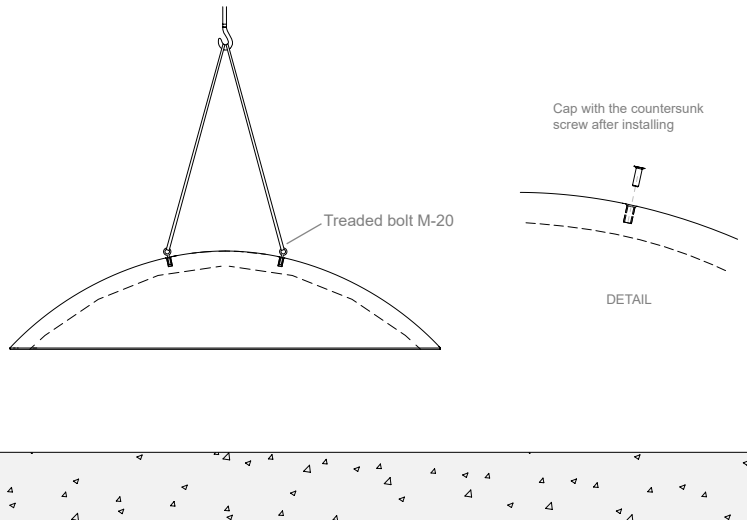
Weight: Island S 1.100kg / Island L 1.650kg.



Placement system

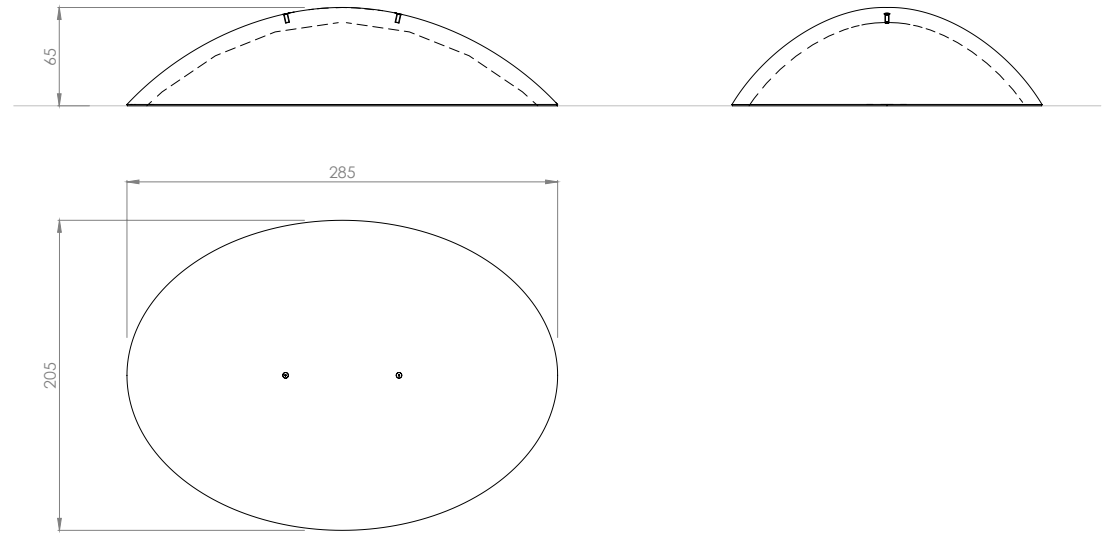
Handling with long polyester slings.

Free standing. Supported on the ground.



durbanis

ISLAND S



ISLAND L

