

CARIBOU STAR

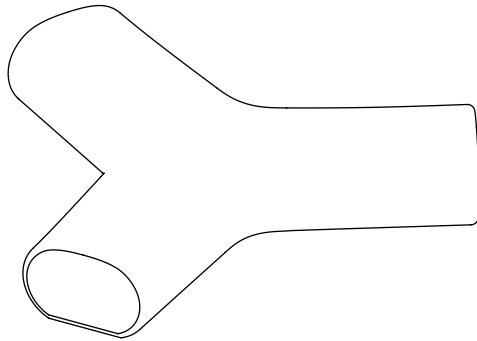
Durbanis
2020

durbanis

Sizes in cm

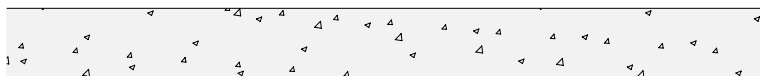
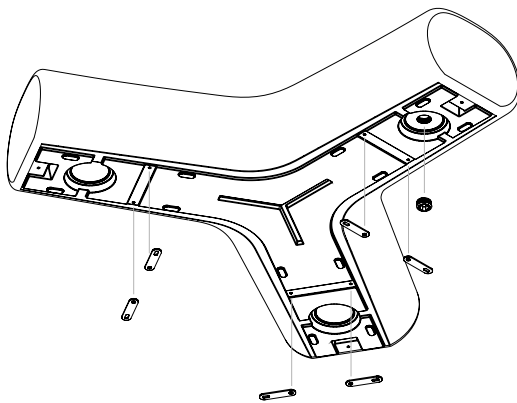
Material: Recycled Polyethylene LDPE. UV Resistance.

Weight: 75kg.

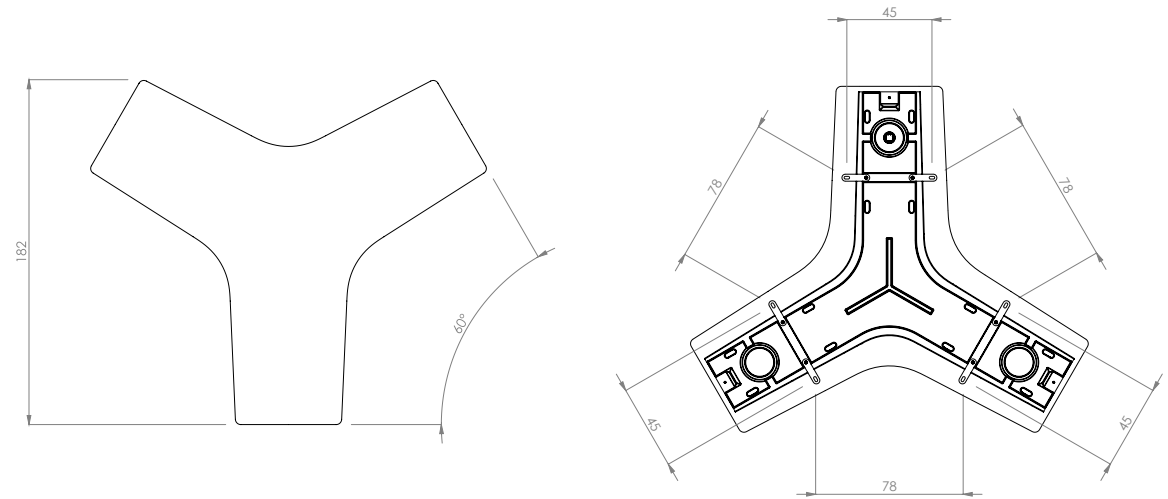
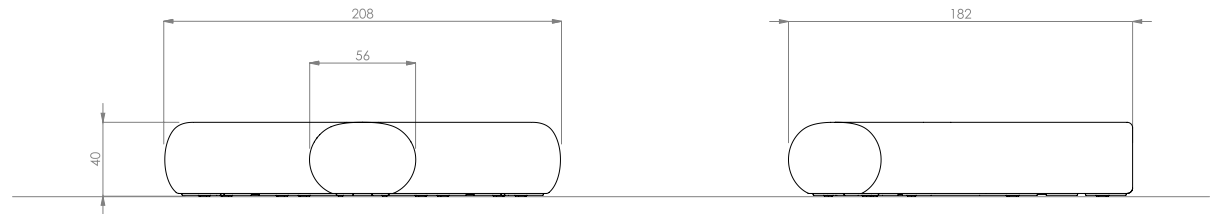


Placement system

Mounting options: Free standing / Direct fixing by drilling the pavenent and fill with resin or mortar / Filling with water or sand / Removable fixing with brackets.

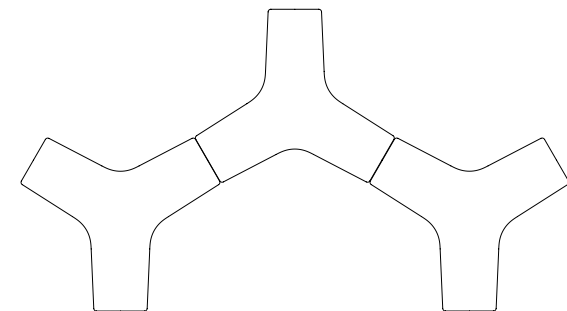
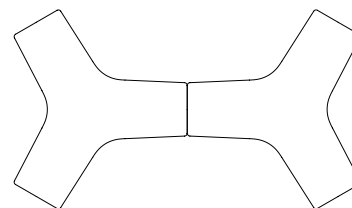


CARIBOU STAR



FIXING POSITIONING

MAIN CONFIGURATIONS



CARIBOU CURVE

Durbanis
2020

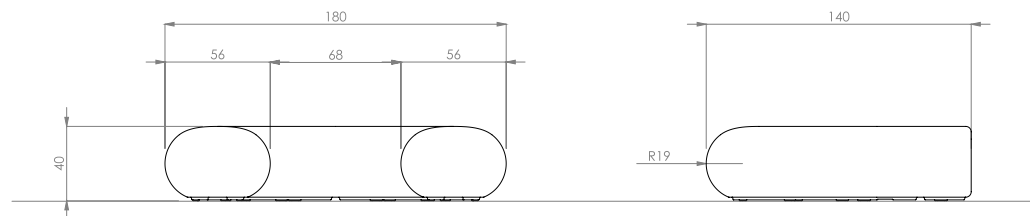
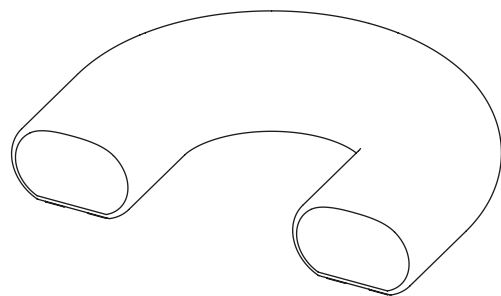
durbanis

Sizes in cm

Material: Recycled Polyethylene LDPE. UV Resistance.

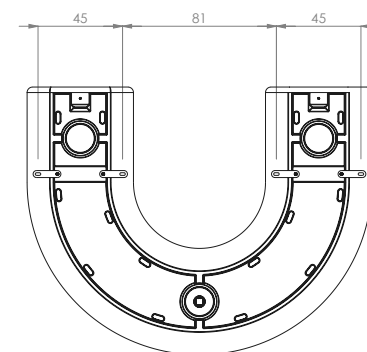
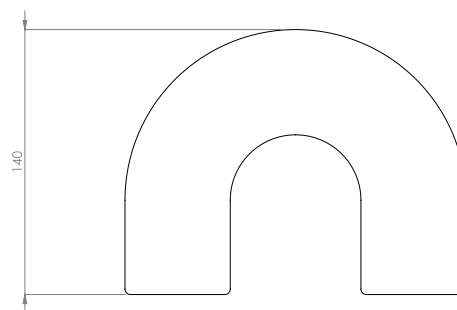
Weight: 70kg.

CARIBOU CURVE

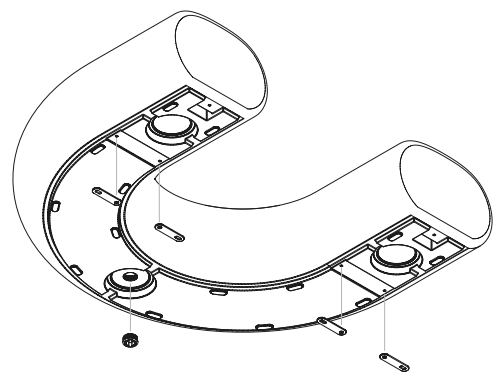


Placement system

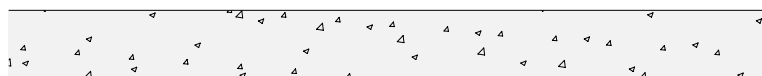
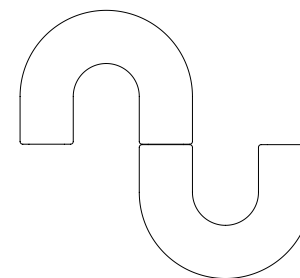
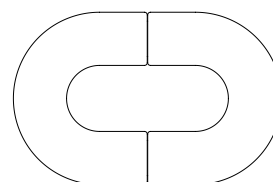
Mounting options: Free standing / Direct fixing by drilling the pavenent and fill with resin or mortar / Filling with water or sand / Removable fixing with brackets.



FIXING POSITIONING



MAIN CONFIGURATIONS



CARIBOU ARC

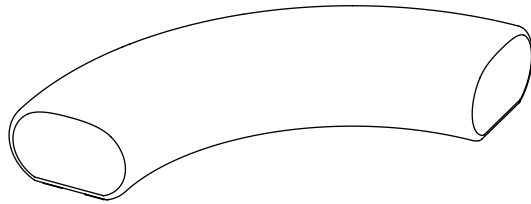
Durbanis
2022

durbanis

Sizes in cm

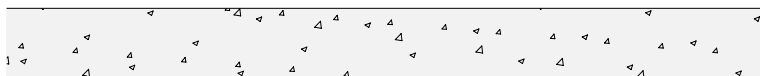
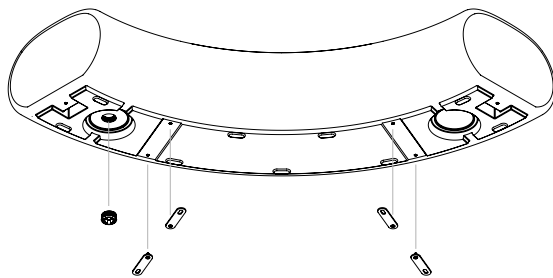
Material: Recycled Polyethylene LMDPE. UV Resistance.

Weight: 40kg.

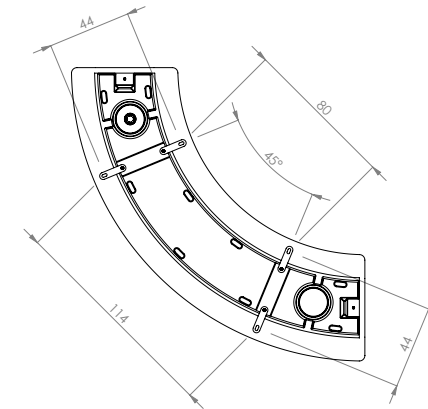
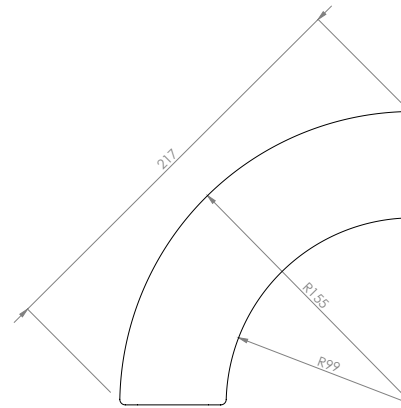
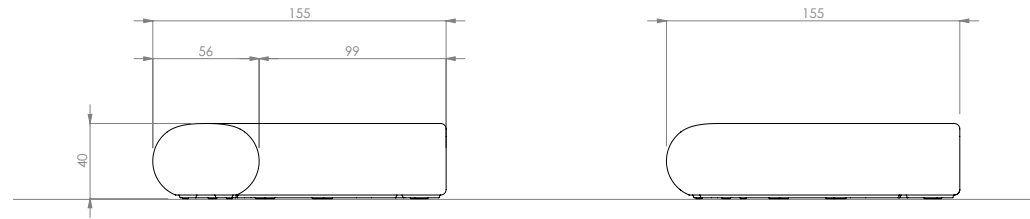


Placement system

Mounting options: Free standing / Filling with water or sand / Direct fixation / Anchored to the ground using stainless steel brackets.

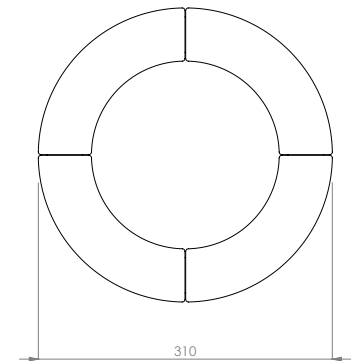
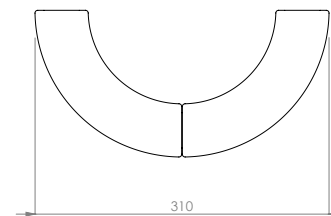
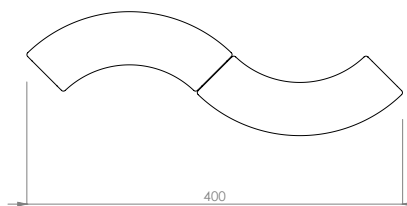


CARIBOU ARC



FIXING POSITIONING

MAIN CONFIGURATIONS



CARIBOU STRAIGHT

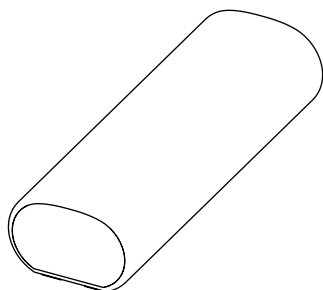
Durbanis
2020

durbanis

Sizes in cm

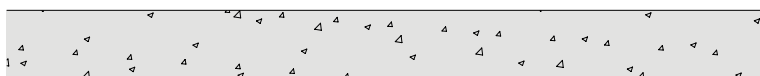
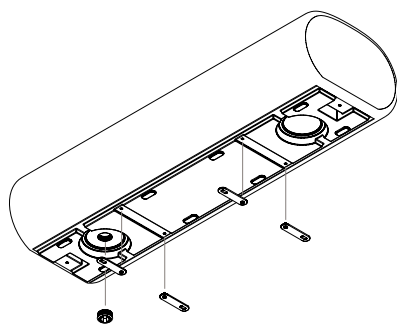
Material: Recycled Polyethylene LDPE. UV Resistance.

Weight: 40kg.

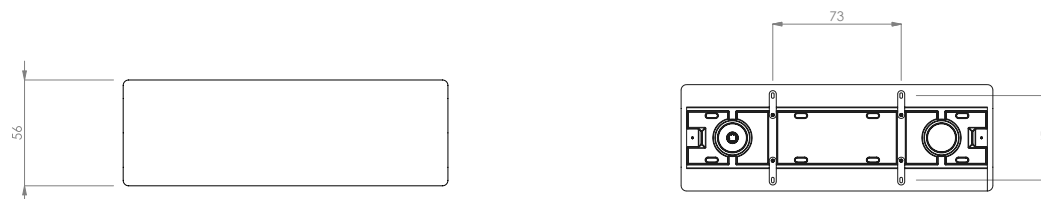
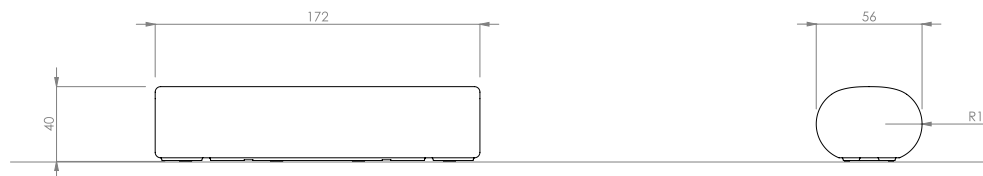


Placement system

Mounting options: Free standing / Direct fixing by drilling the pavement and fill with resin or mortar / Filling with water or sand / Removable fixing with brackets.



CARIBOU STRAIGHT



FIXING POSITIONING

MAIN CONFIGURATION

