

# CARIBOU STAR

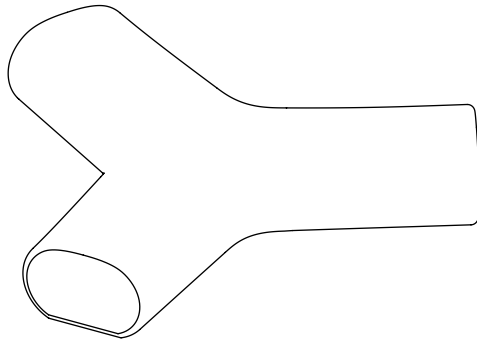
Durbanis  
2020

# durbanis

Sizes in cm

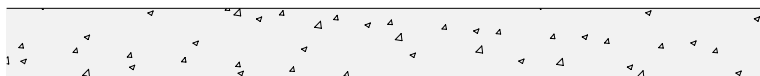
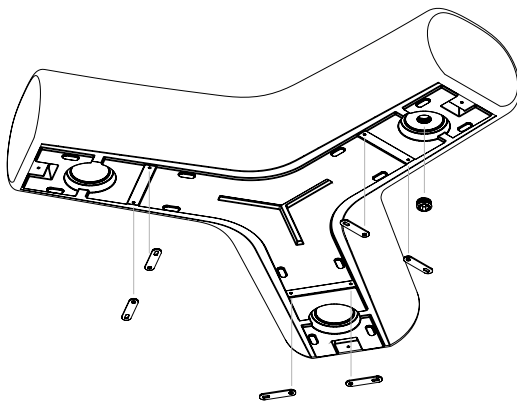
Material: Recycled Polyethylene LDPE. UV Resistance.

Weight: 75kg.

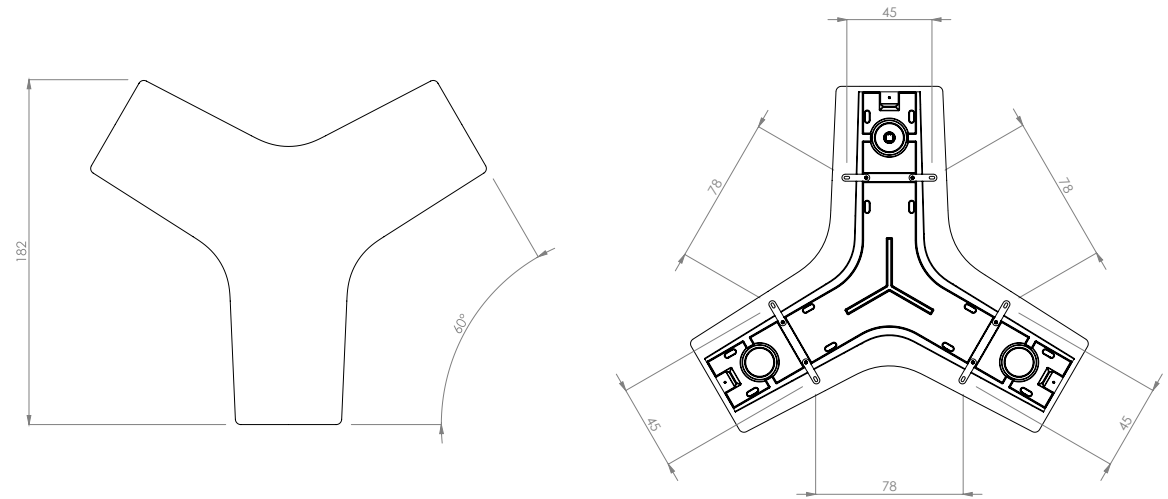
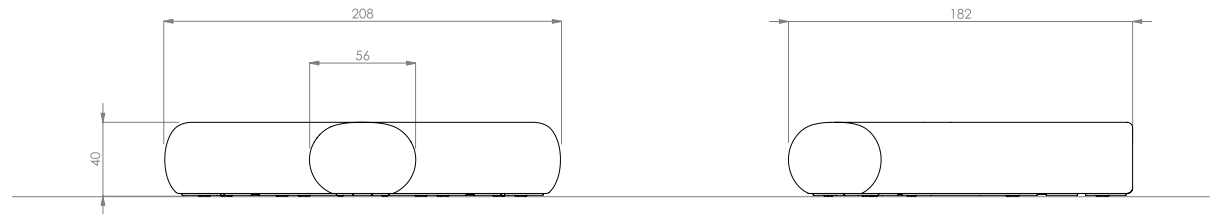


## Placement system

Mounting options: Free standing / Direct fixing by drilling the pavenent and fill with resin or mortar / Filling with water or sand / Removable fixing with brackets.



## CARIBOU STAR



FIXING POSITIONING

## MAIN CONFIGURATIONS

