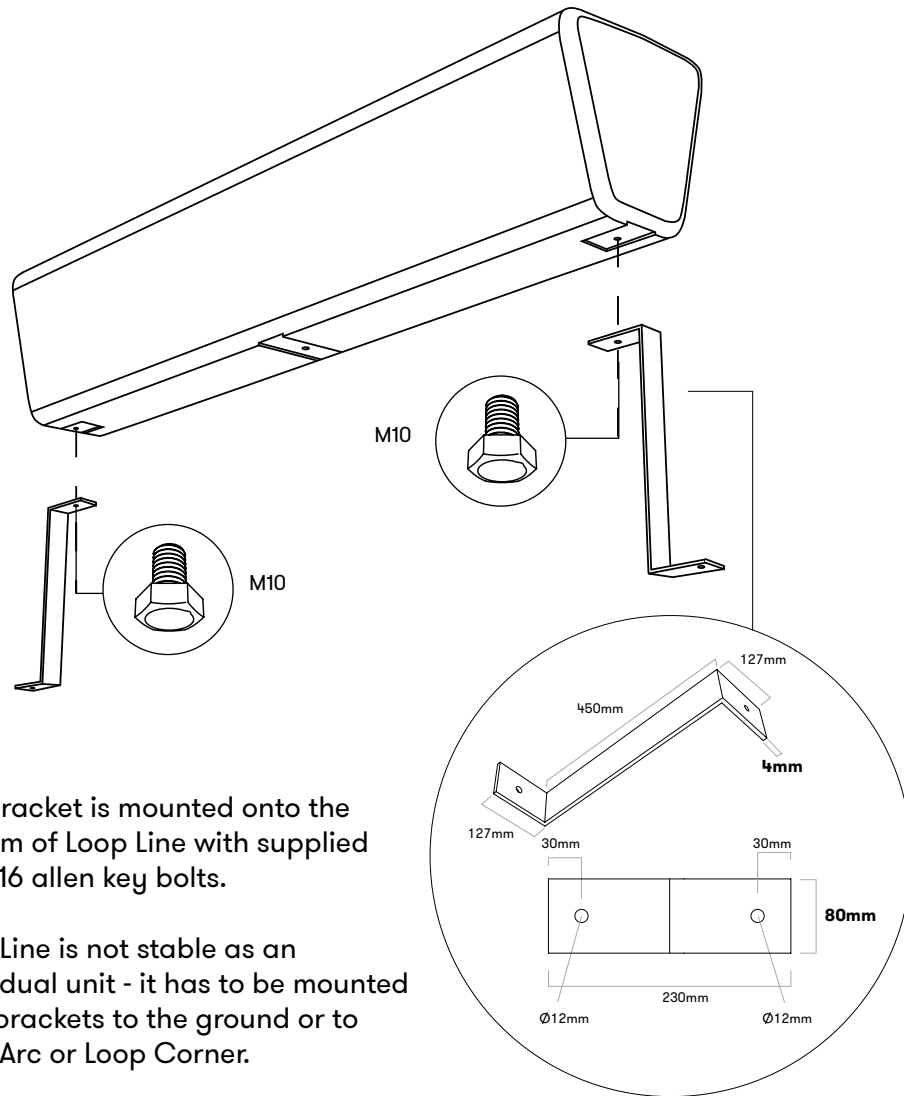


**LOOP LINE
#140**

**MOUNTING
INSTRUCTION**



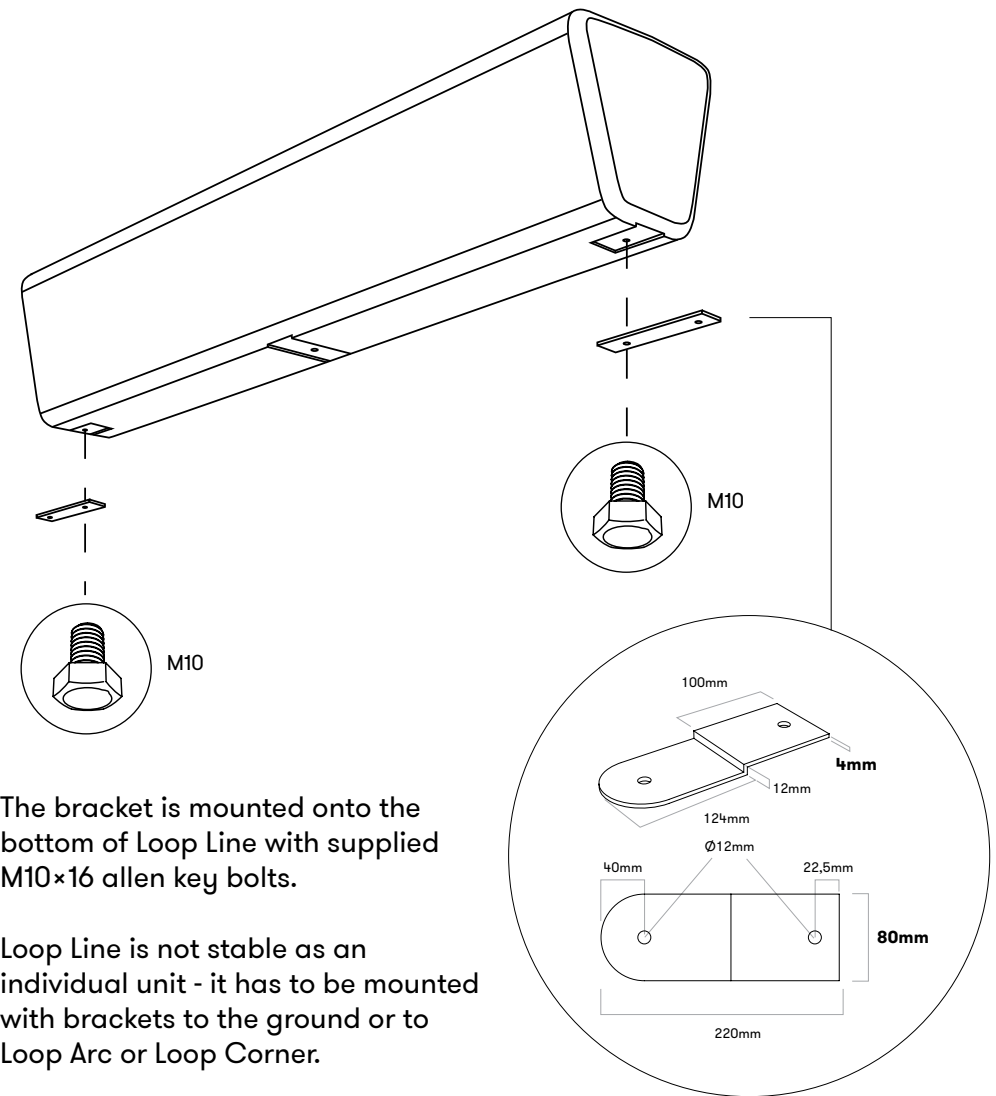
B2 BRACKET FOR GROUND FIXATION



The bracket is mounted onto the bottom of Loop Line with supplied M10×16 allen key bolts.

Loop Line is not stable as an individual unit - it has to be mounted with brackets to the ground or to Loop Arc or Loop Corner.

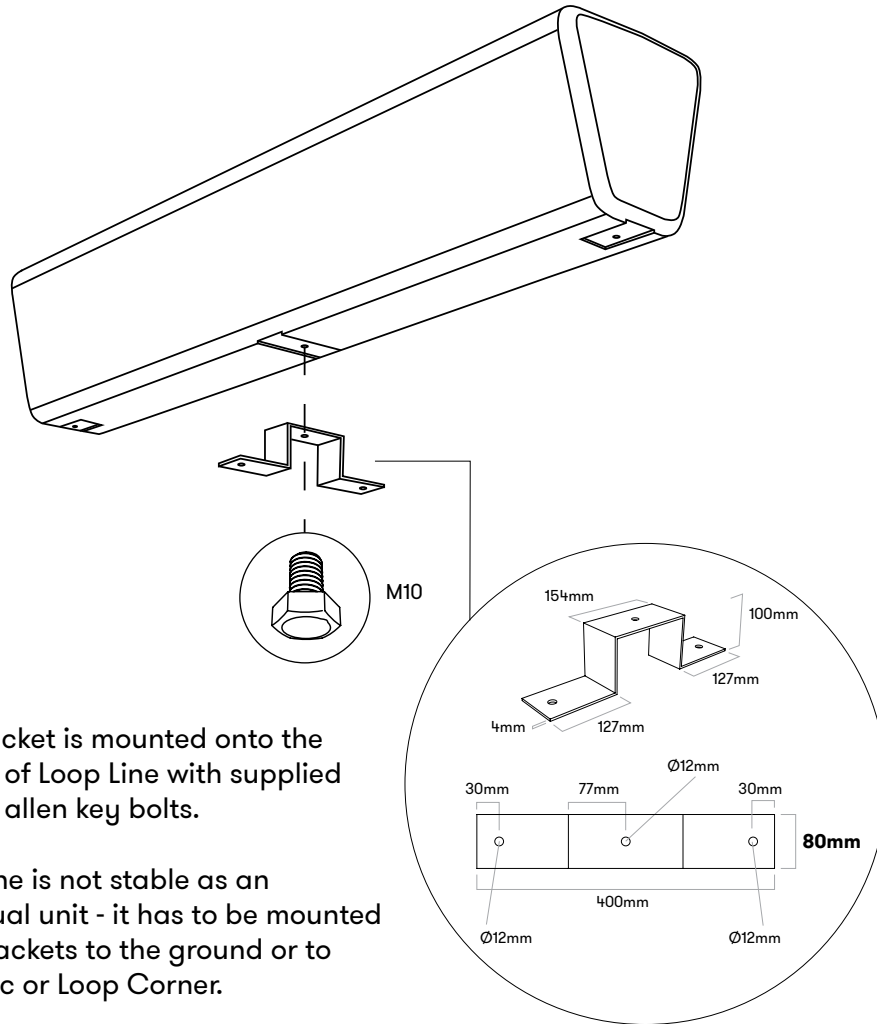
B3 BRACKET FOR SURFACE FIXATION



The bracket is mounted onto the bottom of Loop Line with supplied M10×16 allen key bolts.

Loop Line is not stable as an individual unit - it has to be mounted with brackets to the ground or to Loop Arc or Loop Corner.

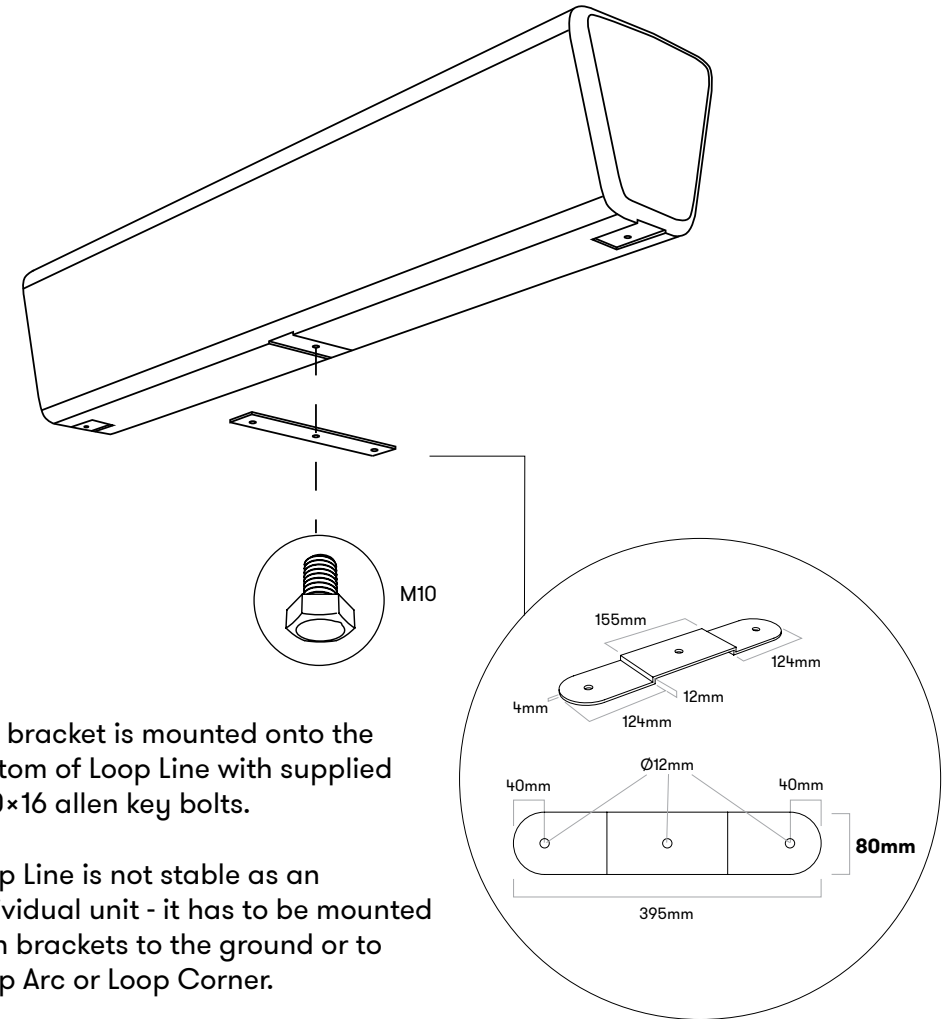
B5 BRACKET FOR GROUND FIXATION, MIDDLE



The bracket is mounted onto the bottom of Loop Line with supplied M10×16 allen key bolts.

Loop Line is not stable as an individual unit - it has to be mounted with brackets to the ground or to Loop Arc or Loop Corner.

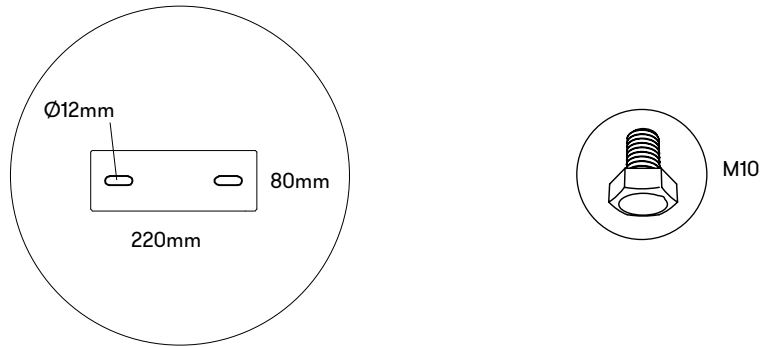
B6 BRACKET FOR SURFACE FIXATION, MIDDLE



The bracket is mounted onto the bottom of Loop Line with supplied M10×16 allen key bolts.

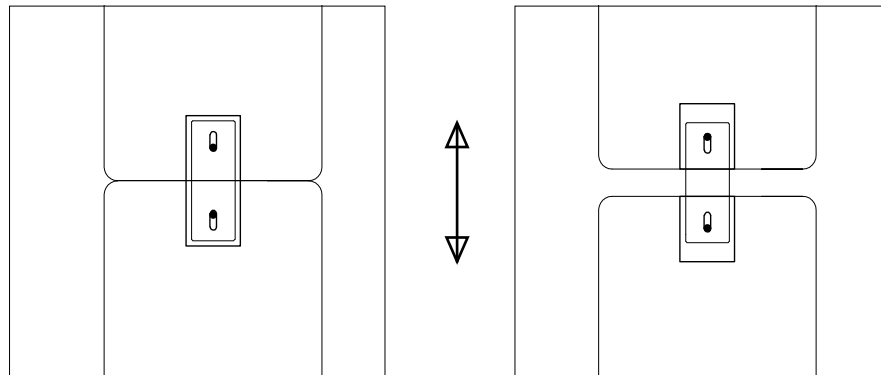
Loop Line is not stable as an individual unit - it has to be mounted with brackets to the ground or to Loop Arc or Loop Corner.

B4 ASSEMBLY BRACKET



The assembly bracket function as a spacer between the ends of two Loop Lines. The bracket is adjustable (0-50mm).

Each bracket is mounted onto the bottom of each Loop Line with the supplied M10×16 bolts.



CLEANING INSTRUCTIONS

The material polyethylene withstands almost all detergents. Polyethylene requires no maintenance.

The dyed polyethylene preserves the colour - minimal fading by the sun is to be expected.

Pressure washers can be used with advantage to clean the product.

After cleaning, use vinyl polish (same as used for car interiors) to make the product shine.

SLIP RESISTANT SURFACES

The products have a textured/granulated surface due to abrasive blasting of the mold.

This process increases friction, resulting in a less slippery surface.