

PLATEAU BENCH+PLINTH

#192 + #193

MOUNTING INSTRUCTIONS





PLATEAU Bench



PLATEAU Plinth

INDEX:	PAGE
Unpacking the shipment.....	03
Mounting the seat onto the frame.....	04
Mounting of backrest on Plateau Bench.....	05
Mounting of Side-table on Plinth & Bench.....	06
Cleaning.....	07

PARTS INCLUDED FOR MOUNTING:

Plateau Bench

- 4 pcs M8×14 allen key screws
- 8 pcs M10×15 allen key screws
- 4 pcs plastic washers

Plateau Plinth

- 6 pcs M8×14 allen key screws
- 8 pcs M10×15 allen key screws

Plateau Side-table

- 2 pcs M10×15 allen key screws

TOOLS NEEDED FOR MOUNTING (NOT INCLUDED):

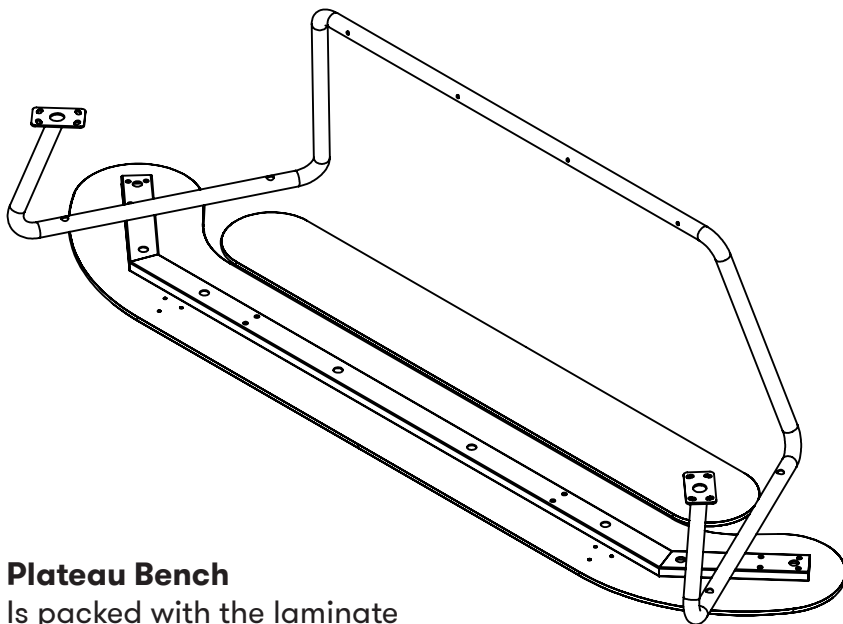
- Allen key no 6

PLEASE NOTICE:

Two more people are recommended mounting of Plateau bench and plinth.

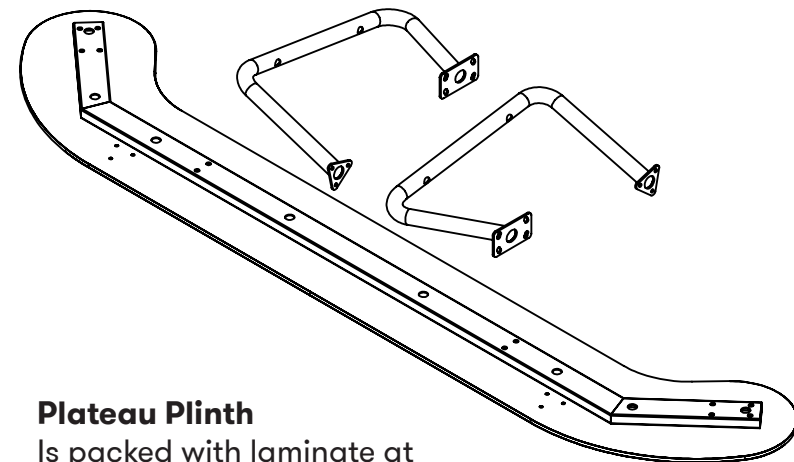
UNPACKING THE SHIPMENT

Cut the safety straps, remove protective material and unbox mounting parts (check list page 02) and legs.



Plateau Bench

Is packed with the laminate at the bottom and the frame at top

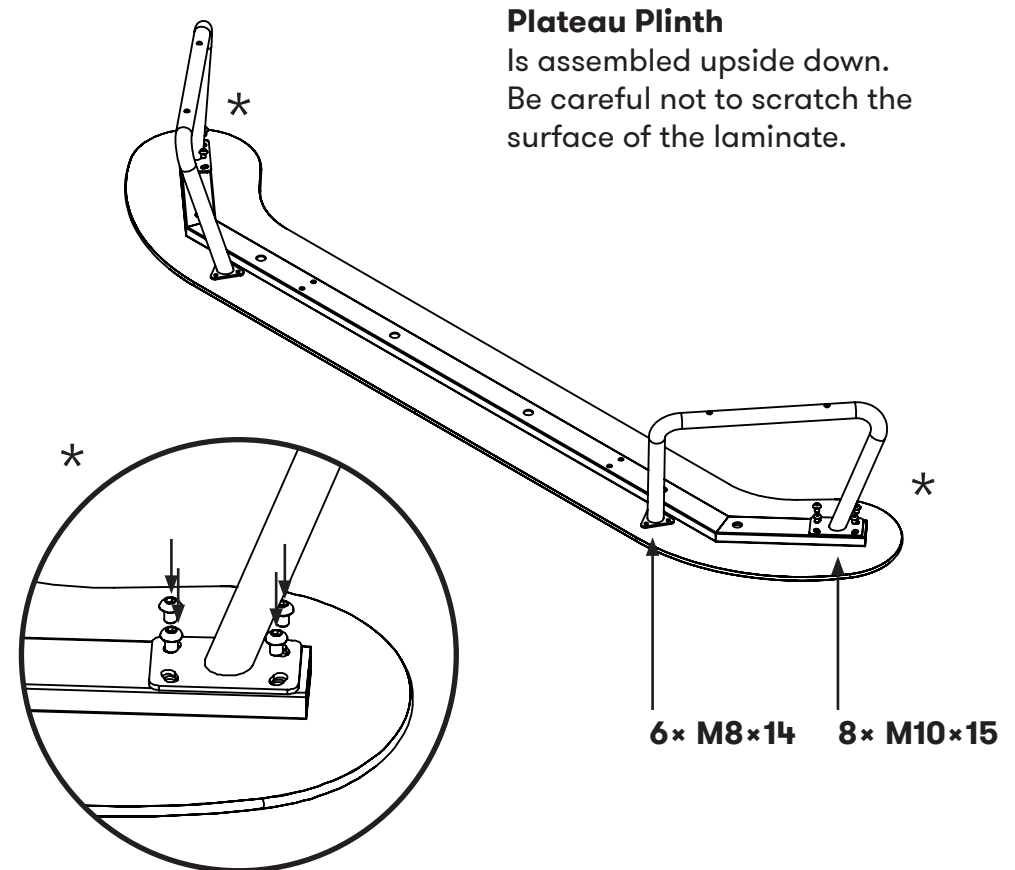
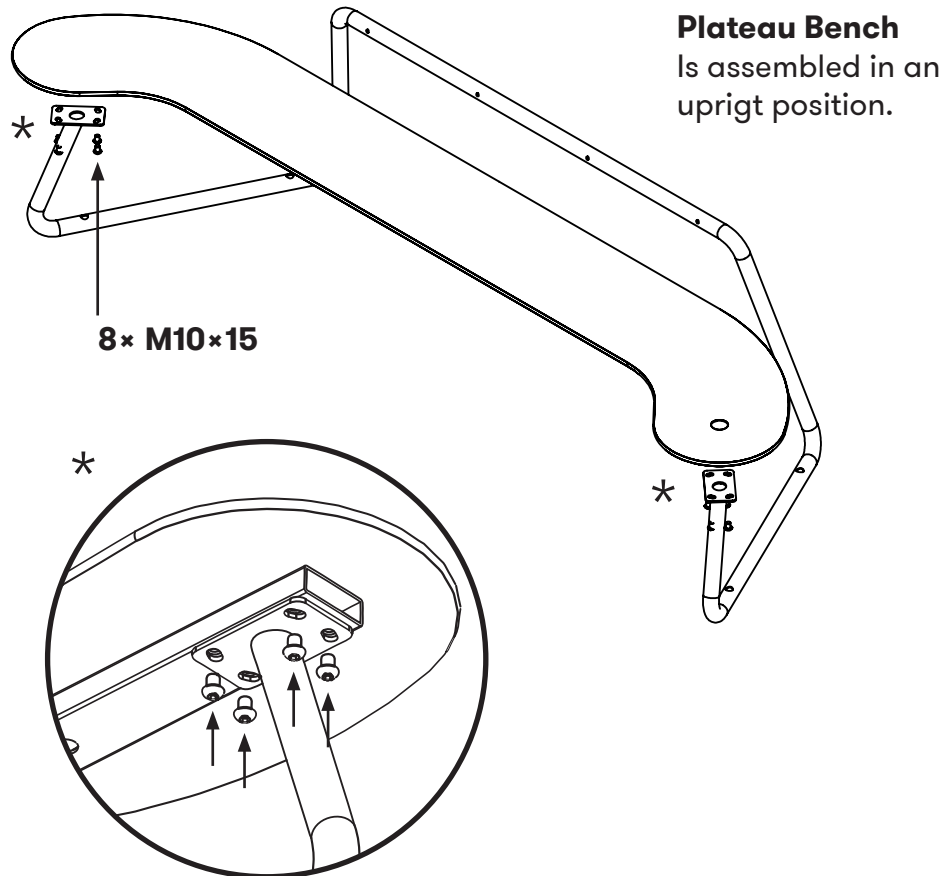


Plateau Plinth

Is packed with laminate at the bottom and the legs on top or on the side

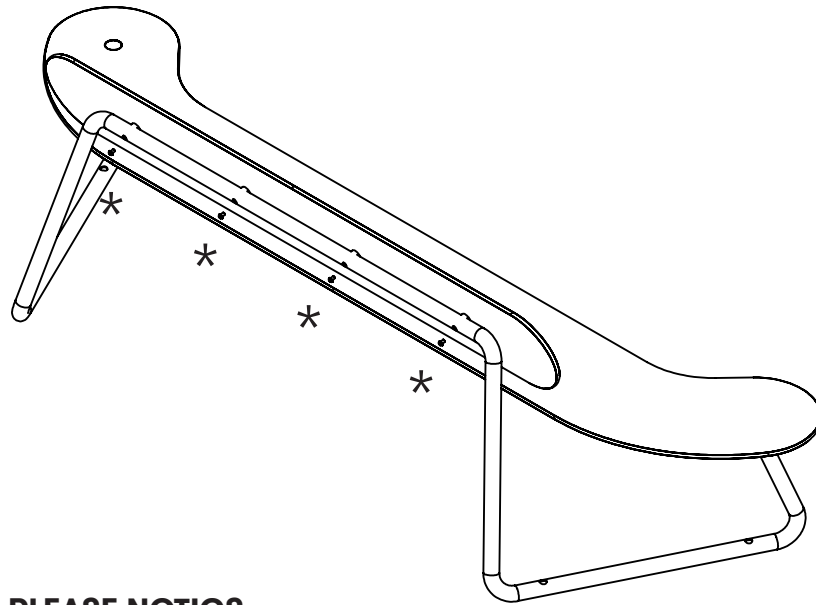
MOUNTING THE SEAT ONTO THE FRAME

Use the included M10×15mm allen key screws to mount the seat onto the frame/legs. Tighten the screws carefully with allen key no 6. Also, use the included M8×14mm allen key screws when mounting the legs on Plateau Plinth. Be careful when tightening the screws into the laminate **max. moment 5Nm**



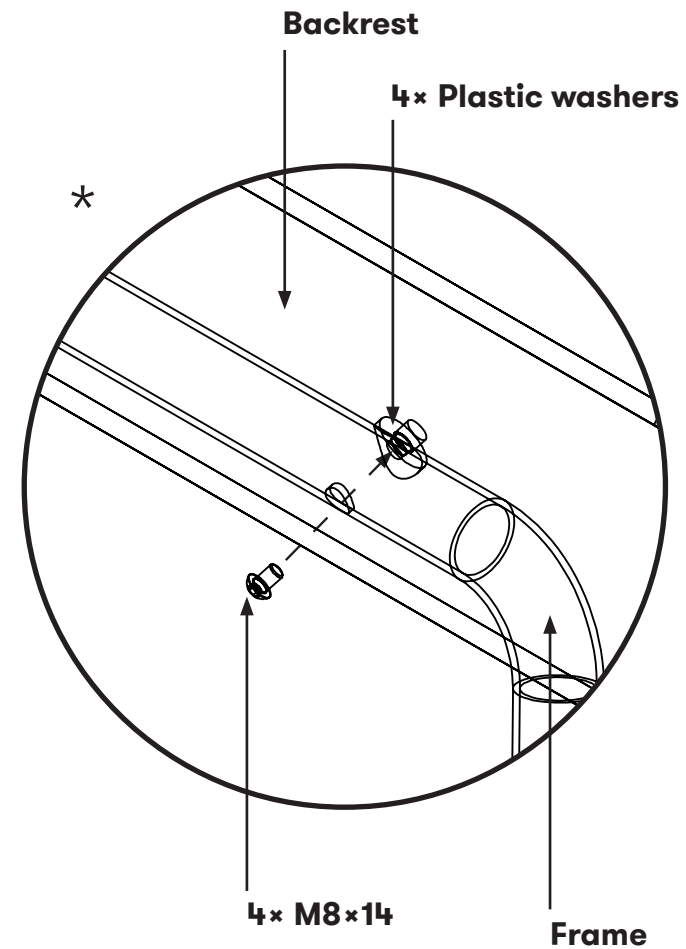
MOUNTING OF BACKREST ON PLATEAU BENCH

Use the included M8×14mm screws and plastic washers to mount the backrest onto the bench frame. While one person is holding the backrest, tighten the M8×14mm screws. This is done through the holes in the frame. Remember to fit the plastic washers between the backrest and steel frame, before beginning. Use allen key no 6. Do not use more than **5 Nm** when tightening the screws.



! PLEASE NOTICES

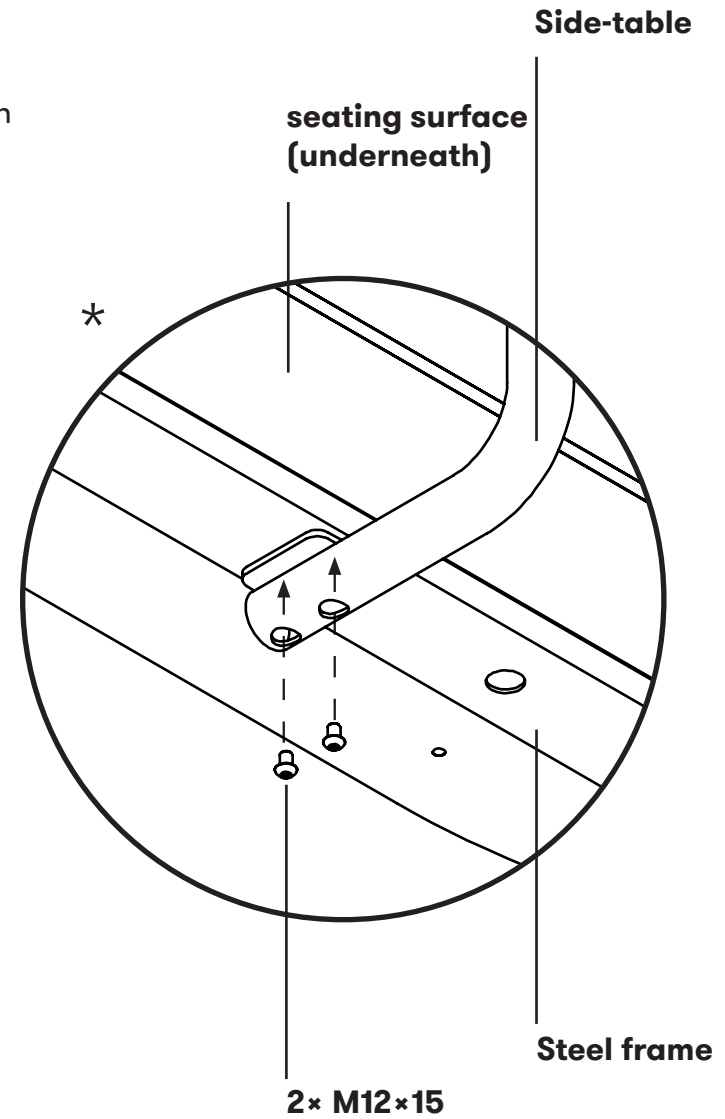
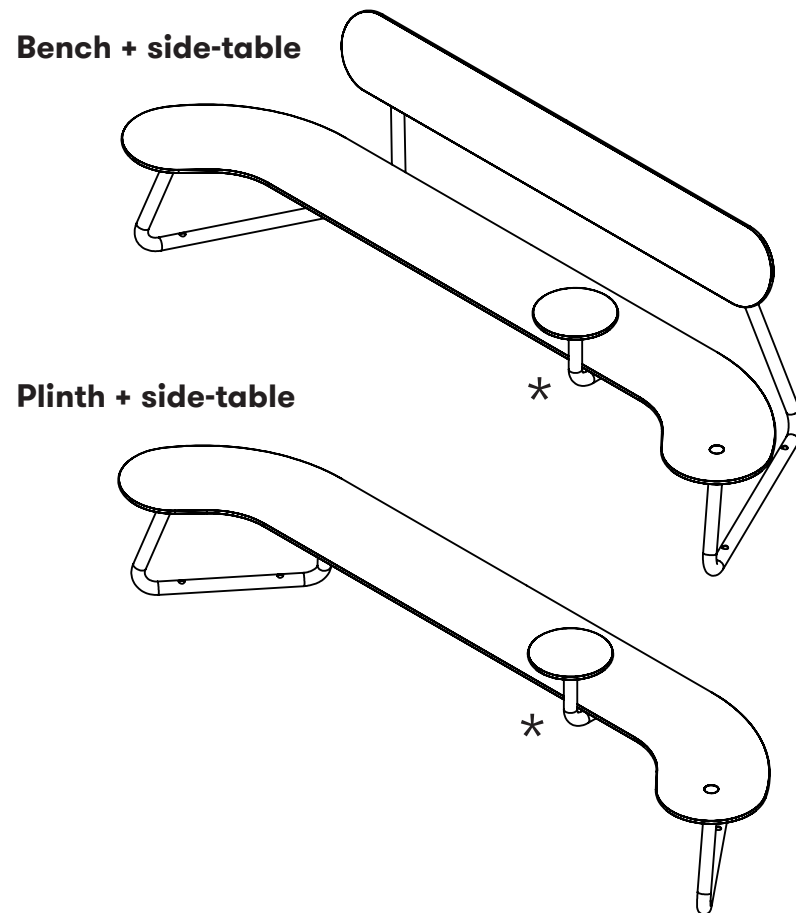
Be careful not to lose the screws inside the tube when assembling the product. They can be hard to get out.



PLATEAU SIDE-TABLE #196

MOUNTING OF SIDE-TABLE ON PLATEAU BENCH & PLINTH

Use two M10×15mm screws (allen key no. 6), to fasten the side-table underneath the steel frame.



CLEANING

Clean the laminate surfaces using hot water and soft sponge or cloth.
Do not use abrasive 'green' side of sponges.

Common household cleaners without abrasives eg. dish detergent or window cleaner may be used.