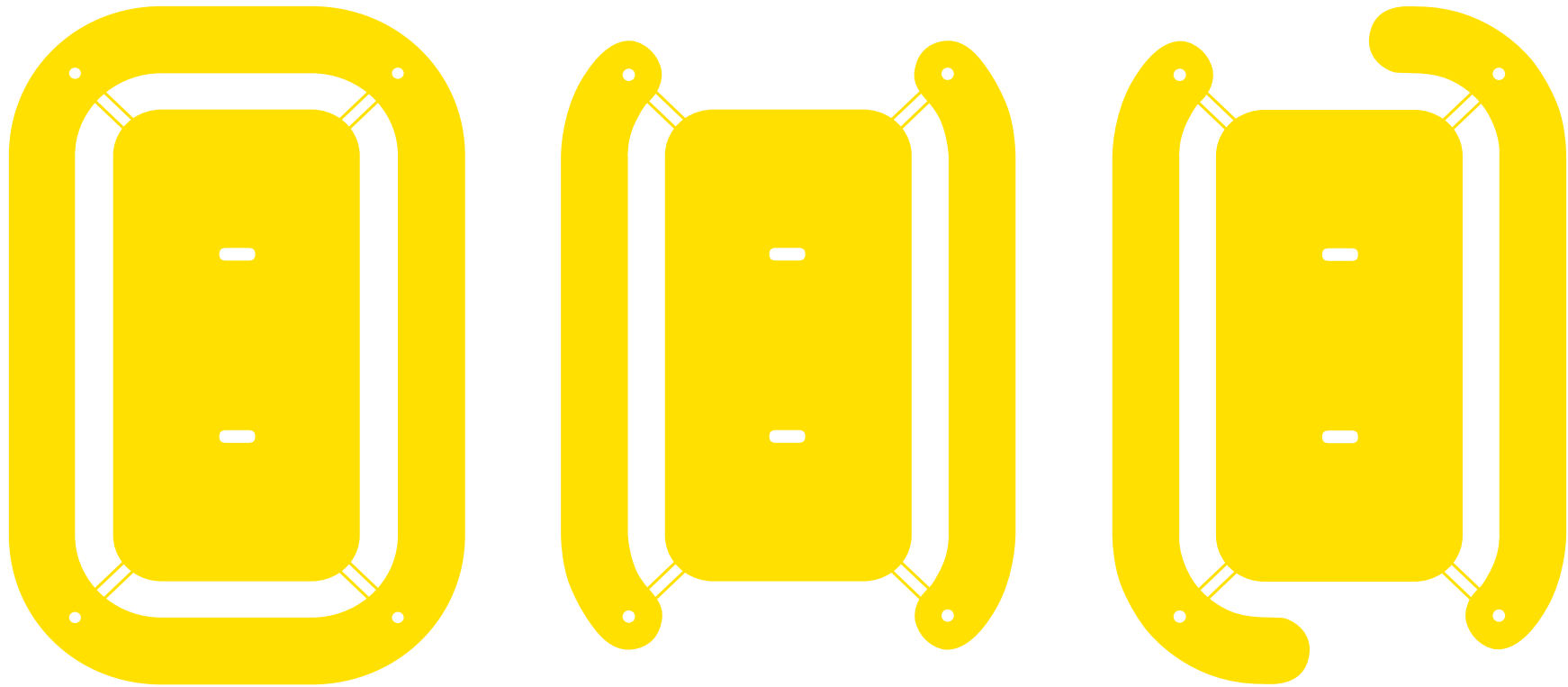
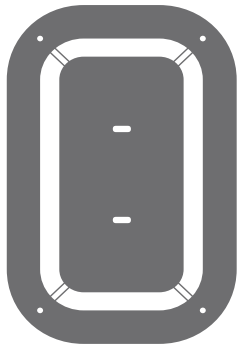


PLATEAU PICNIC O+I+L

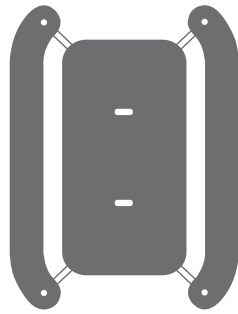
#177 + #197

MOUNTING INSTRUCTIONS

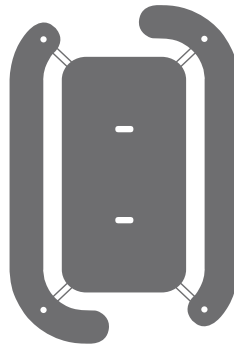




PLATEAU Picnic O



PLATEAU Picnic I



PLATEAU Picnic L

PLEASE NOTE

The drawings in this manual show PLATEAU Picnic O - the version with the elliptical bench. The exact same mounting principles are adherent to the I and L versions with split benches.

INDEX:	PAGE
Unpacking the shipment.....	03
Mounting the legs in pairs.....	04
Mounting the leg pairs on the table top.....	05
Mounting the bench onto legs.....	06
Mounting of round and elongated discs, step 1.....	07
Mounting of round and elongated discs, step 2.....	08
Mounting of #197 picnic-backrest.....	09
Cleaning.....	10

PARTS INCLUDED FOR MOUNTING:

Plateau O, I, L

- 2 pcs M8×20 allen key bolts
- 32 pcs M10×20 allen key bolts
- 8 pcs M10×60 bolts
- 8 pcs M10 nuts
- 16 pcs Ø10 washers
- 2 pcs laser cut tubes
- 2 pcs elongated discs
- 4 pcs round discs

Plateau Picnic Backrest

- 4 pcs M8×14 allen key bolts
- 4 pcs M10×15 allen key bolts
- 4 pcs Plastic washers

TOOLS NEEDED FOR MOUNTING (NOT INCLUDED):

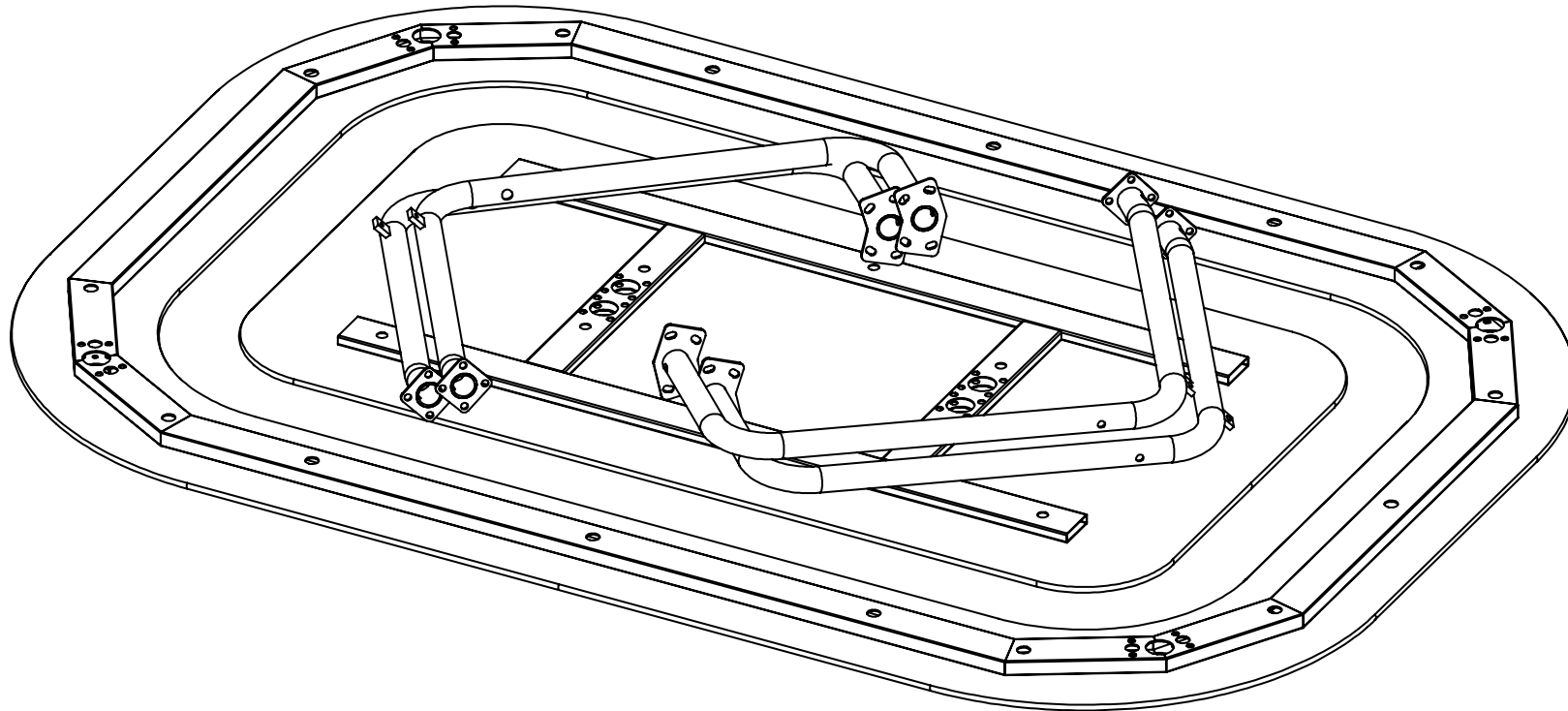
- Allen key no 6
- 17mm wrench/spanner

PLEASE NOTE:

Mounting the PLATEAU Picnic table requires two persons.

UNPACKING THE SHIPMENT

Cut the safety straps, remove protective material and unbox mounting parts (check list page 02) and legs.

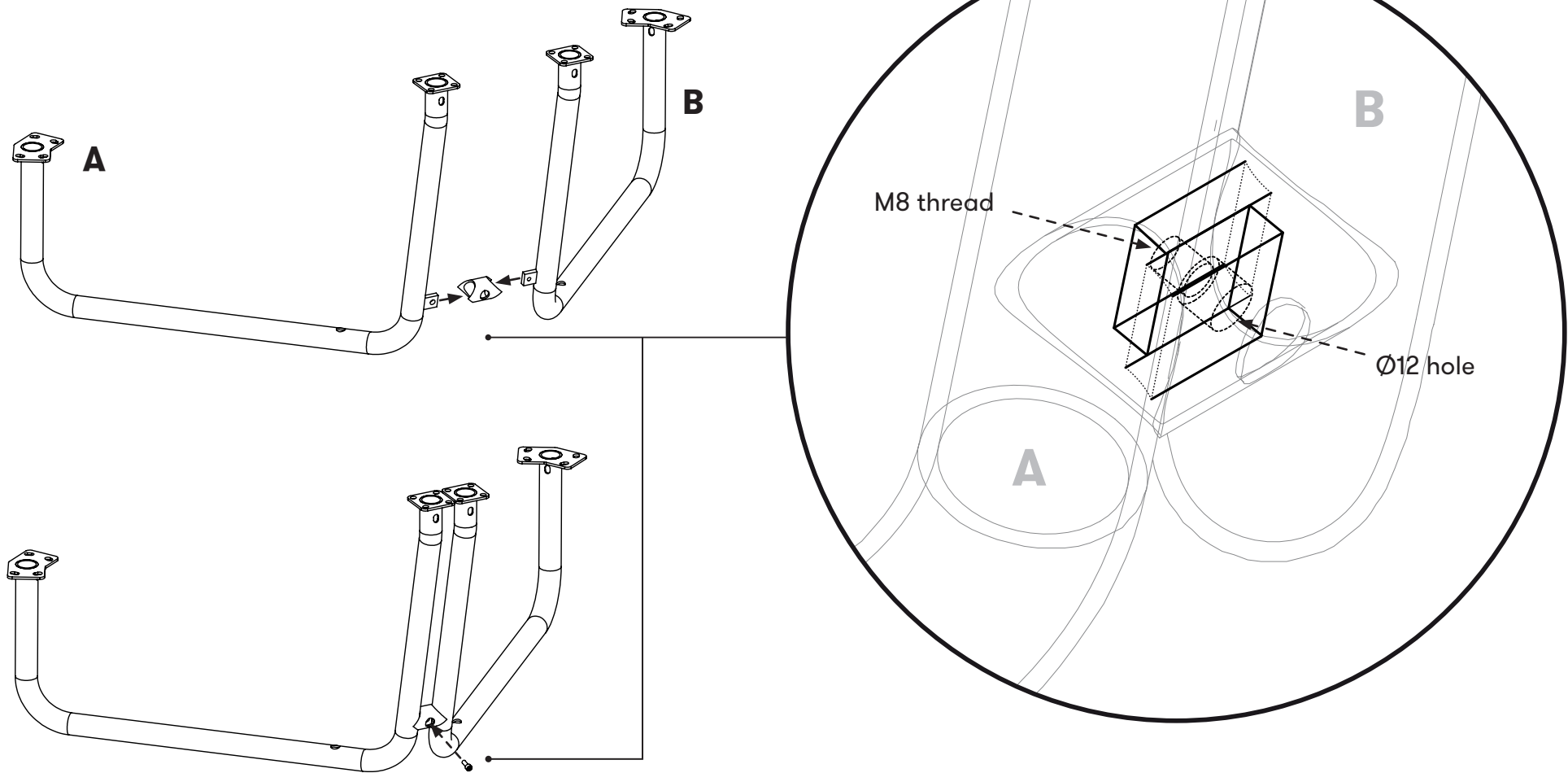


MOUNTING THE LEGS IN PAIRS

A-legs and B-legs are assembled with the included M8×20mm allen key bolts.

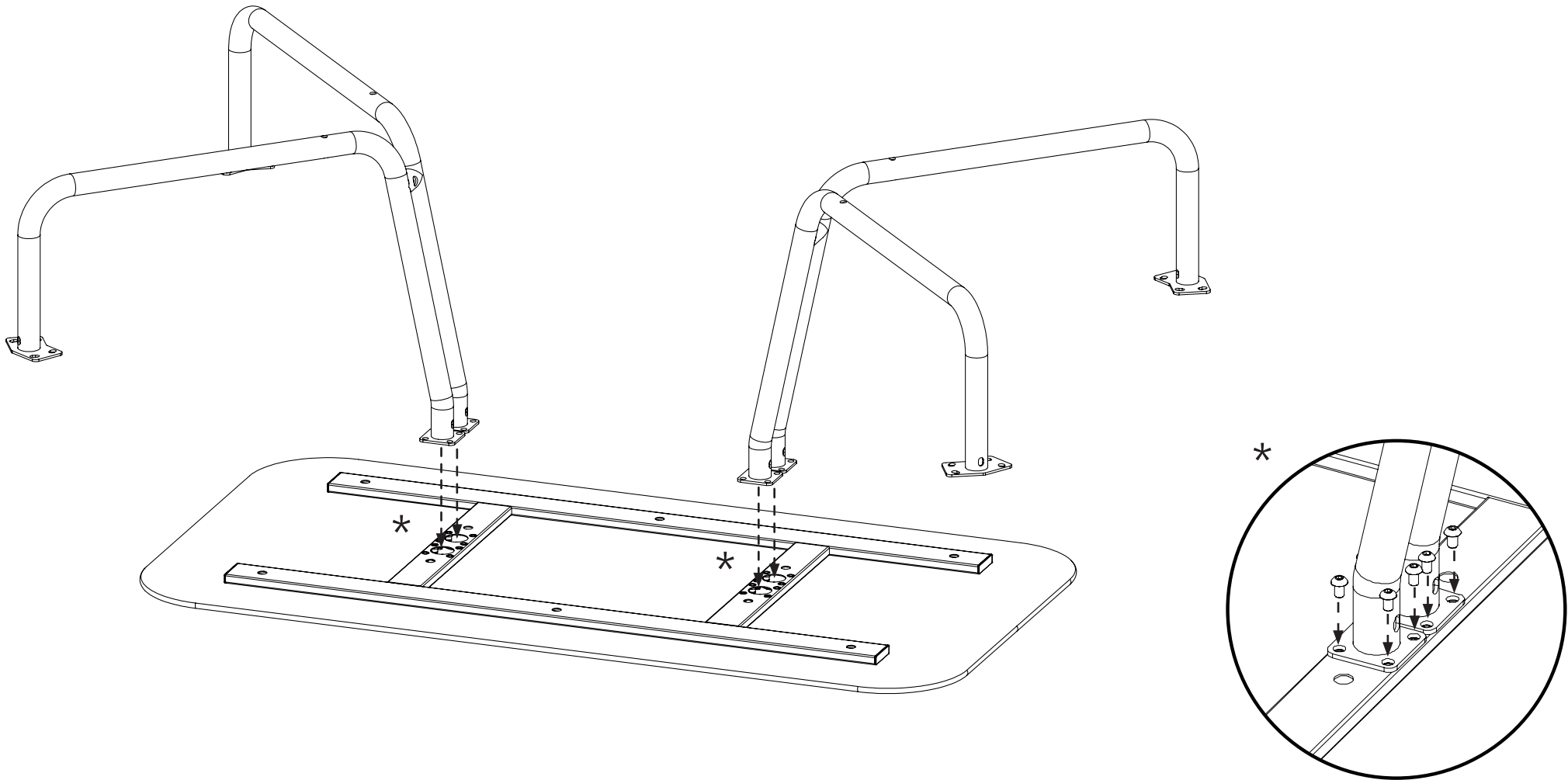
Please note that the part with the M8 thread must point outwards (B-leg).

Only tighten bolts lightly at this point - do not fully tighten until assembly is completed.



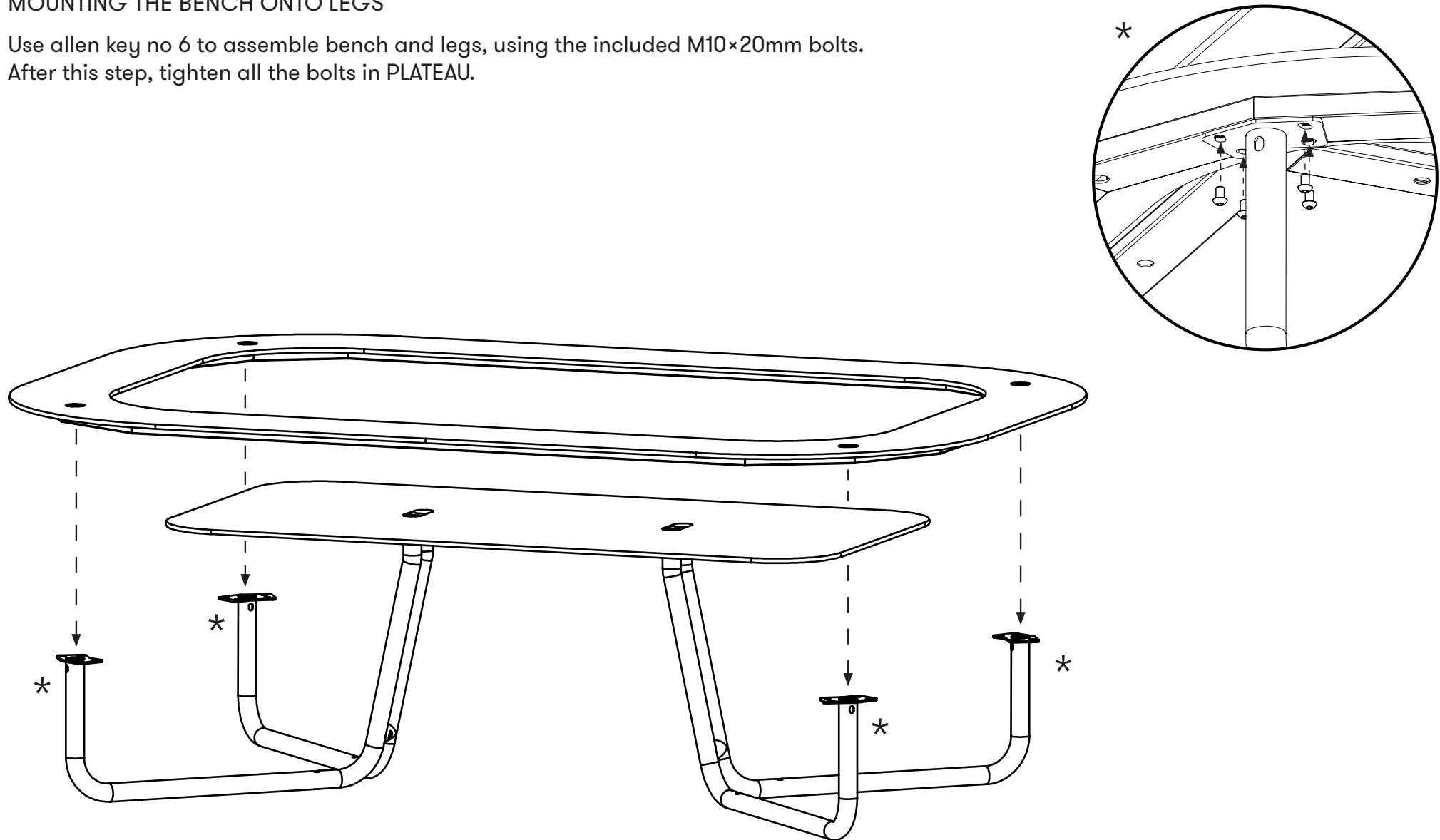
MOUNTING LEG PAIRS ON THE TABLE TOP

Use the attached M10×20mm bolts to assemble leg pairs and table.
Tighten bolts gently, using allen key no 6.

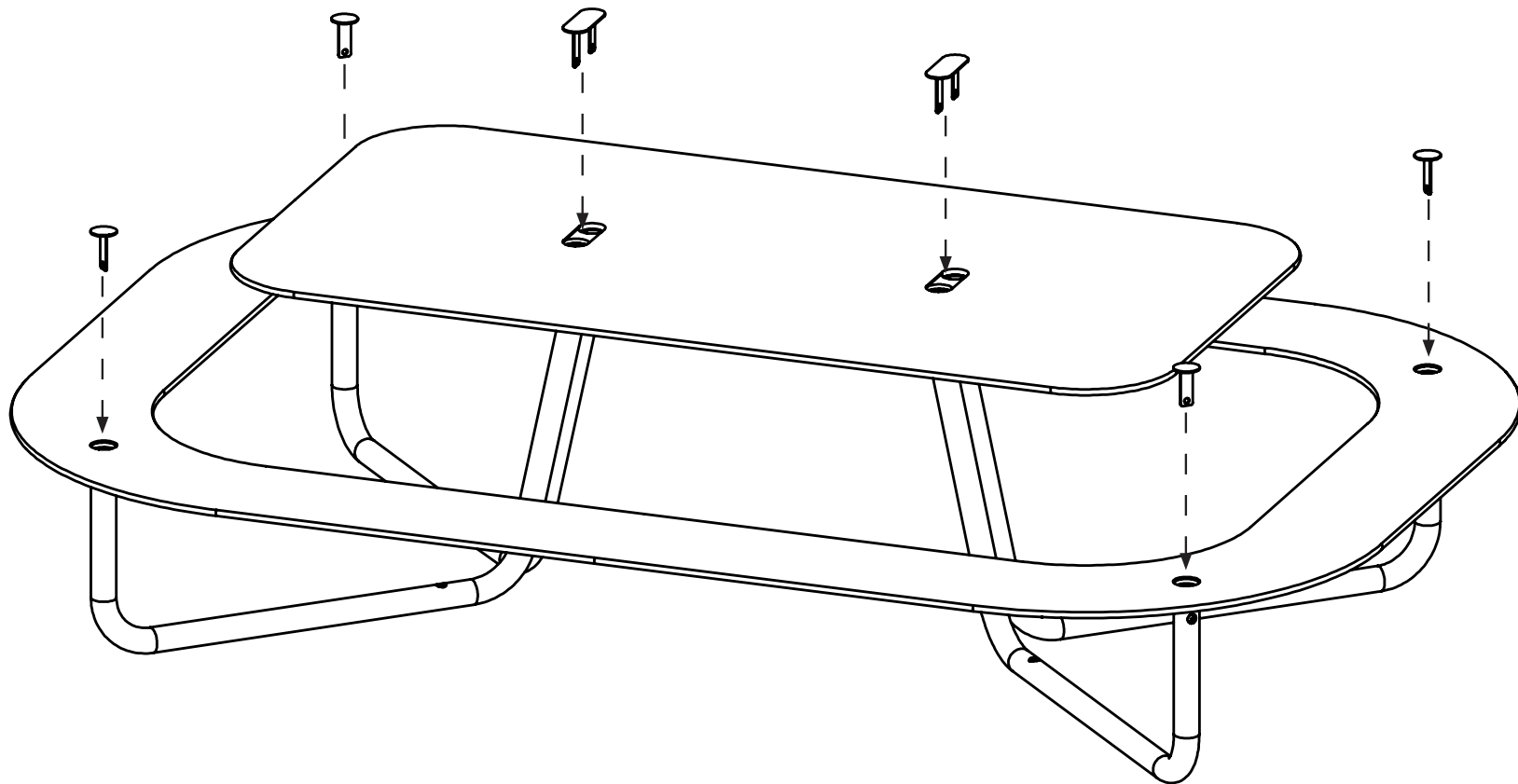


MOUNTING THE BENCH ONTO LEGS

Use allen key no 6 to assemble bench and legs, using the included M10×20mm bolts.
After this step, tighten all the bolts in PLATEAU.



MOUNTING ROUND AND ELONGATED DISCS, STEP 1



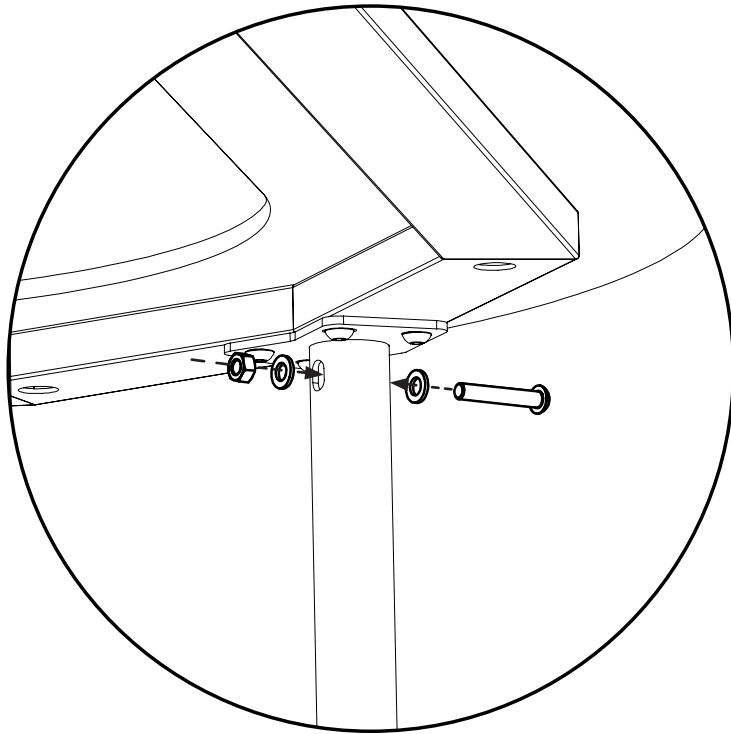
MOUNTING ROUND AND ELONGATED DISCS, STEP 2

Mounting the round and elongated discs:

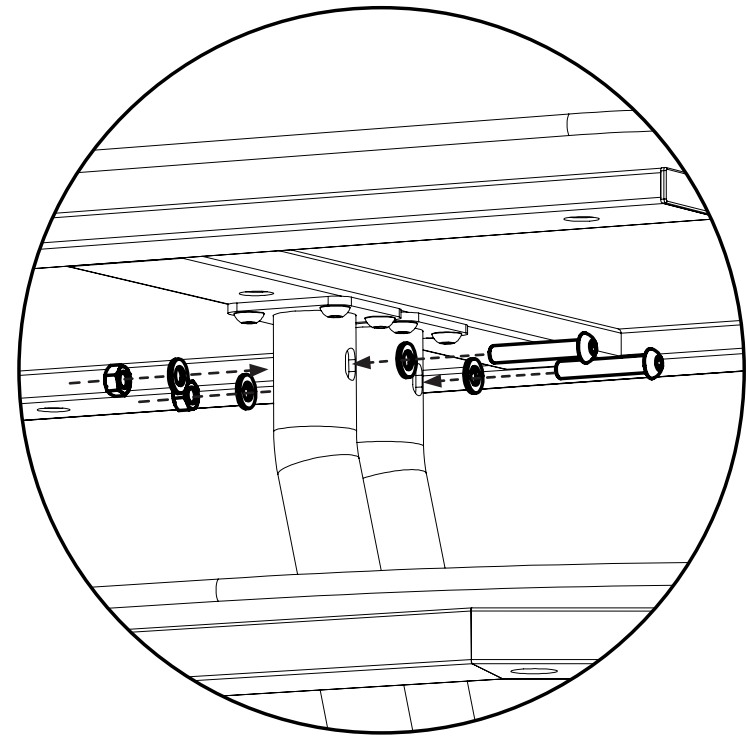
Mount 4× M10 bolts with M10 nuts and washers through the tubes in each corner of the bench.

Mount 4× m10 bolts with M10 nuts and washers through the tubes under the table top.

! **NOTICE:** Washer on each side prevents the bolt from moving.



Insert M10 bolts with allen key no 6



Tighten M10 nunts with 17mm wrench/spanner

PLATEAU BACKREST #197

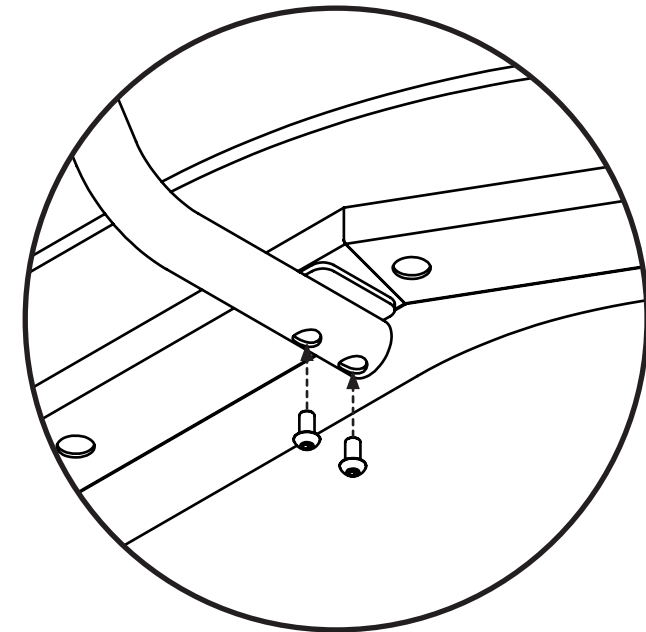
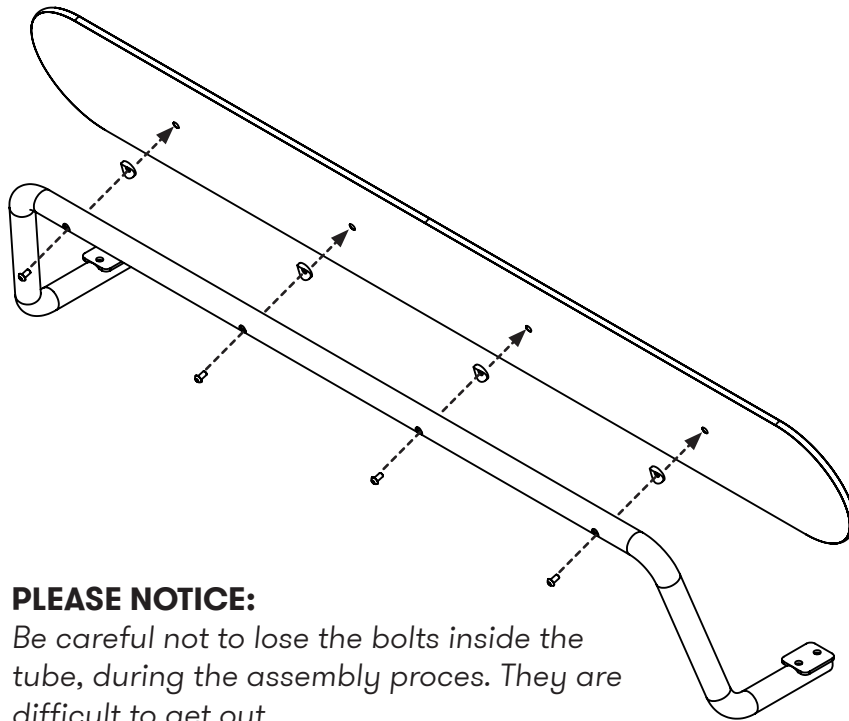
MOUNTING OF PLATEAU BACKREST

You will need:

4× M8×14 mm bolts.

4× M10×15 mm bolts.

4× Plastic washers.



! PLEASE NOTICE:

Be careful not to lose the bolts inside the tube, during the assembly proces. They are difficult to get out.

.....
While one person holds the laminate, tighten the M8×14mm bolts. The bolts are inserted through the back of the frame. Remember to fit the plastic washers between the steel frame and the laminate. Do not tighten the bolts with more than **5 Nm**.

The two flat brackets, of the now assembled Plateau backrest, is placed underneath the O, I, L steel frame. While one person holds the Plateau backrest. Tighten the M10×15 bolts with allen key no 6.

CLEANING

Clean the laminate surfaces using hot water and a soft sponge or cloth. Do not use the abrasive 'green' side of sponges.

Common household cleaners without abrasives eg. dish detergent or window cleaner may be used.