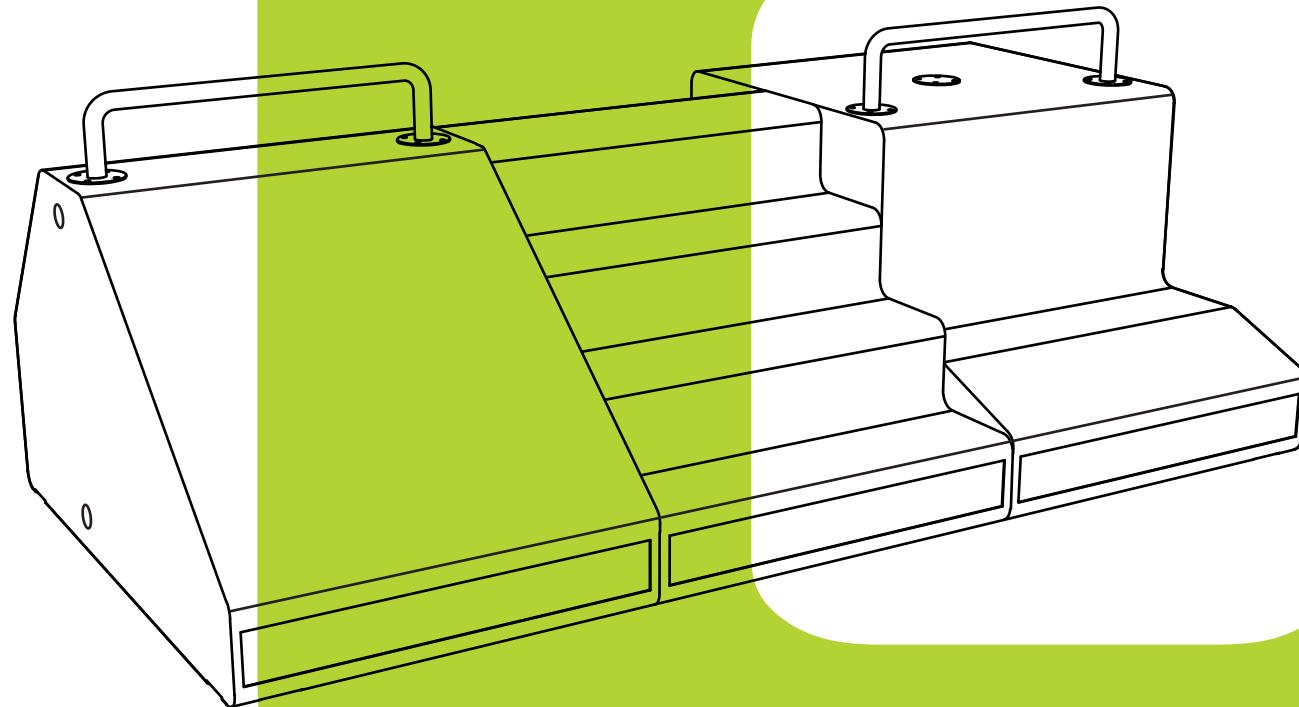
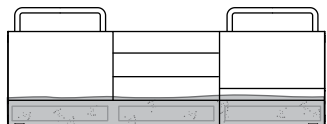


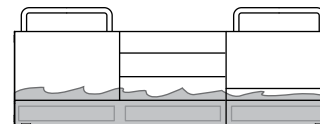
# Mounting instructions

## **FitStation # 149**

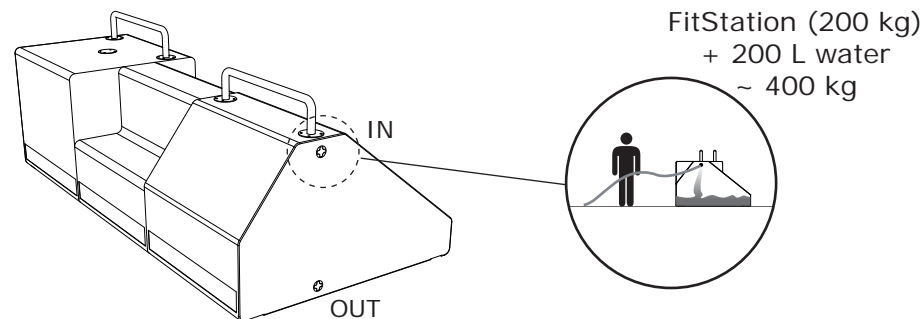
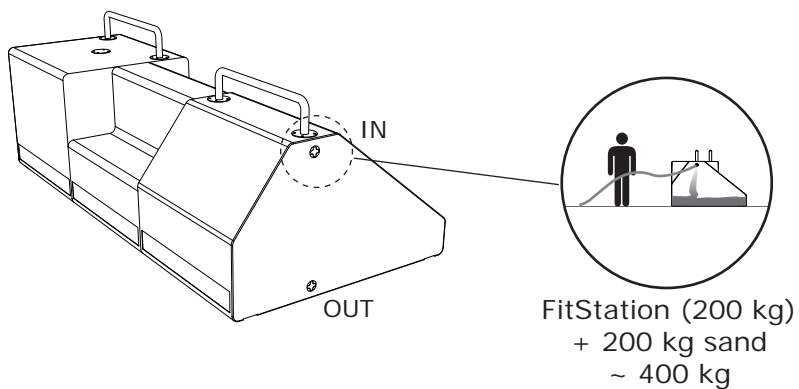
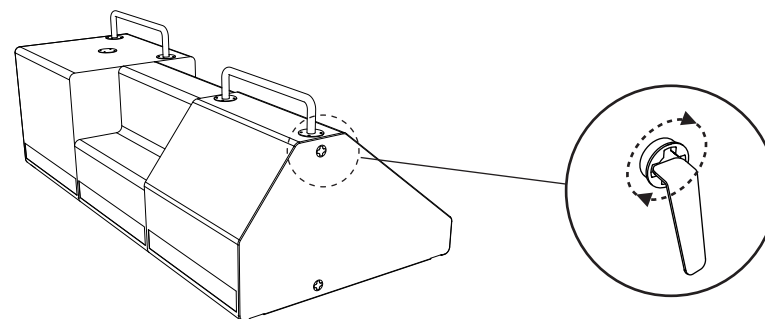
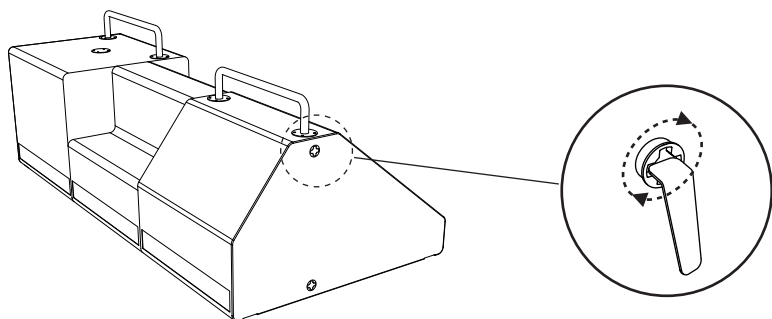
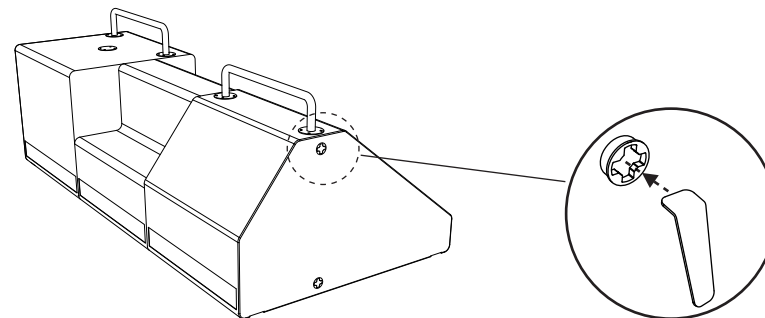
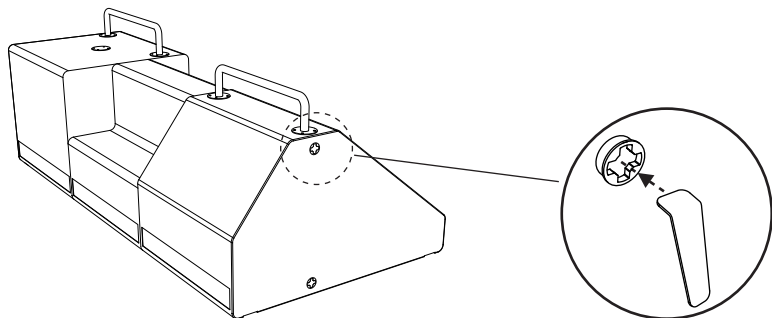




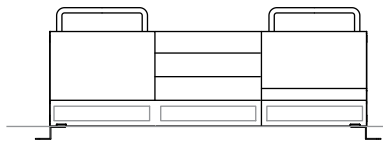
Filled with sand



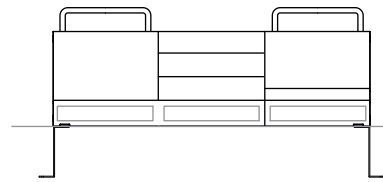
Filled with water



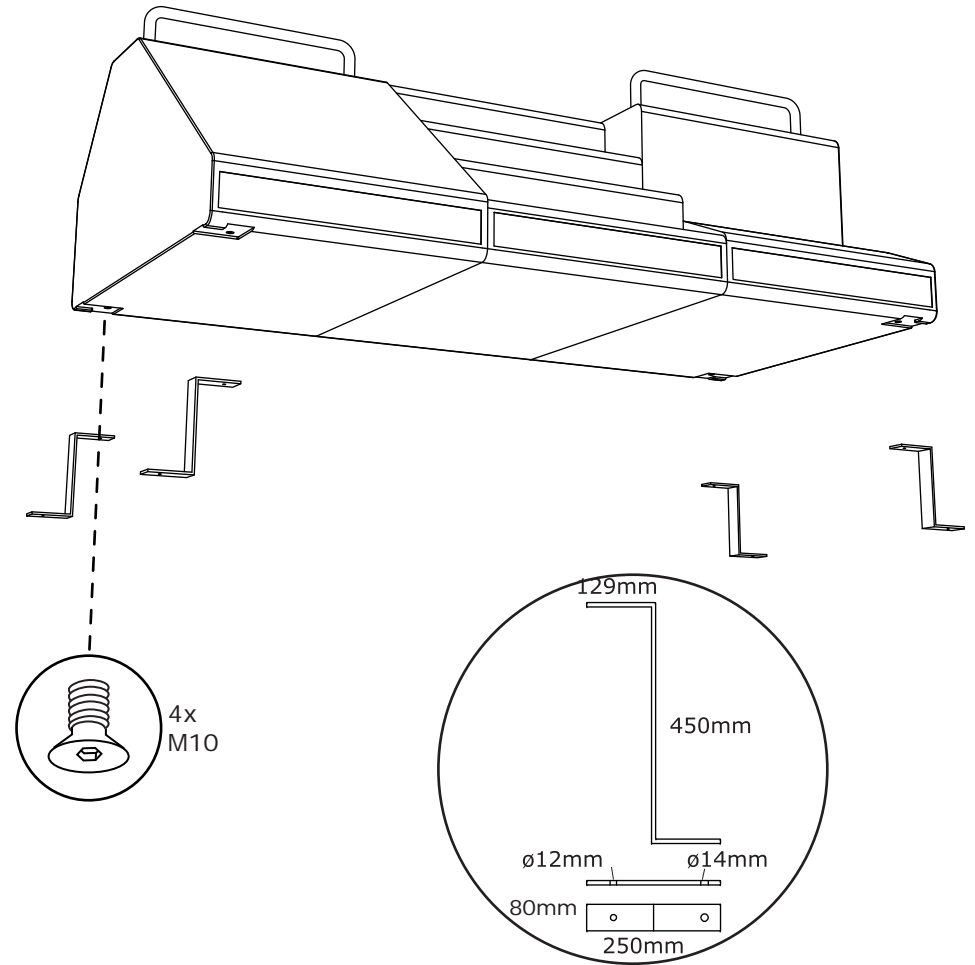
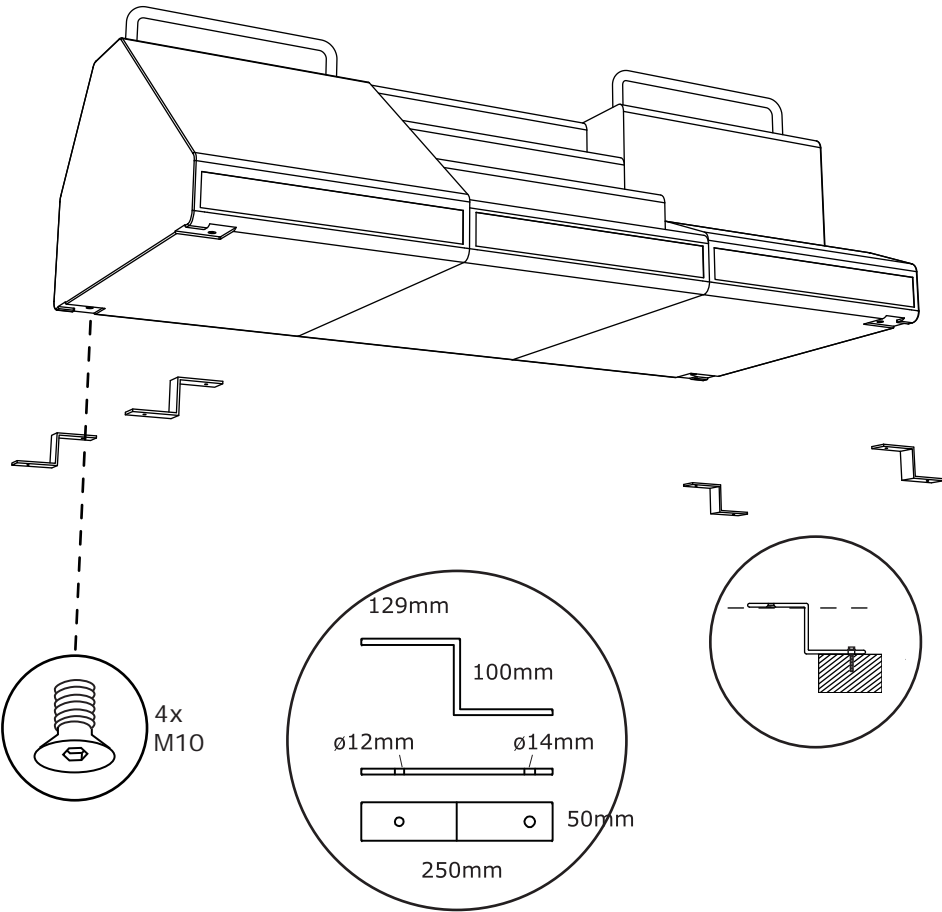
It is recommended to add ethylene glycol when filling with water . Purpose: to prevent water from freezing and to avoid bacteria.



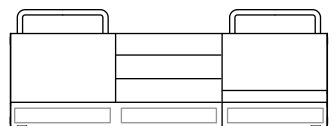
B1 bracket for ground fixation



B2 long bracket for ground fixation



Each bracket is mounted unto the bottom of the FitStation using the supplied M10x16 unbrako bolts.



B3 bracket for surface fixation

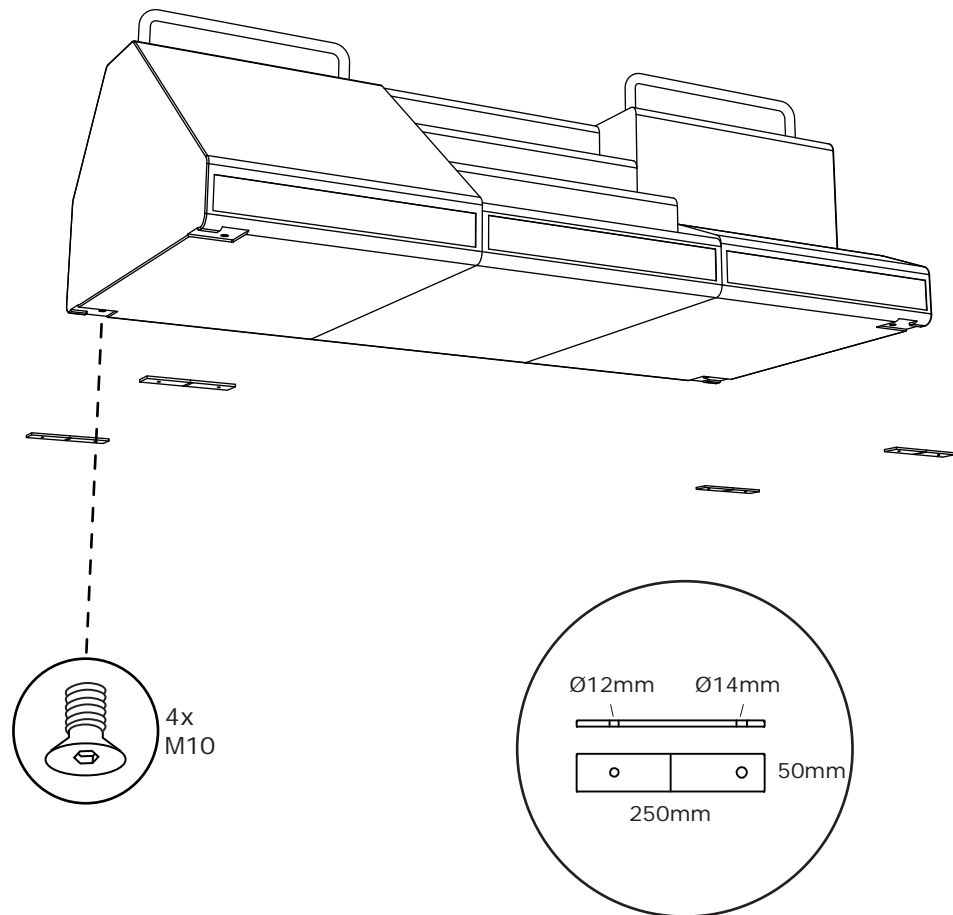
## Cleaning instructions

The material polyethylene withstands almost all detergents.

Polyethylene requires no maintenance.

The dyed polyethylene preserves the colour - minimal fading by the sun is to be expected.

Pressure washers can be used with advantage to clean the product. This service is often offered by companies that remove graffiti.



Each bracket is mounted unto the bottom of the FitStation using the supplied M10x16 unbrako bolts.