

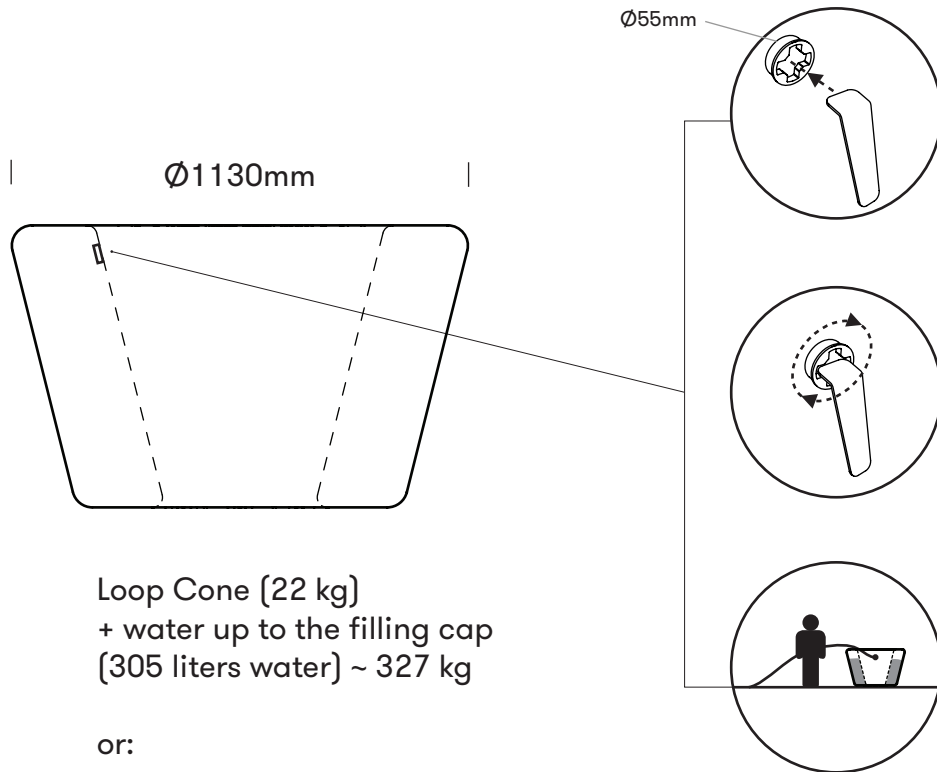
MONITORING LOOP CONE PLANTER / TABLE / BACKREST #169 INSTRUCTION



INDEX

- LOOP CONE PLANTER: PAGE 03
- LOOP CONE TABLE: PAGE 04-07
- LOOP CONE BACKREST: PAGE 08-10

FILLED WITH WATER OR SAND / **PLANTER**

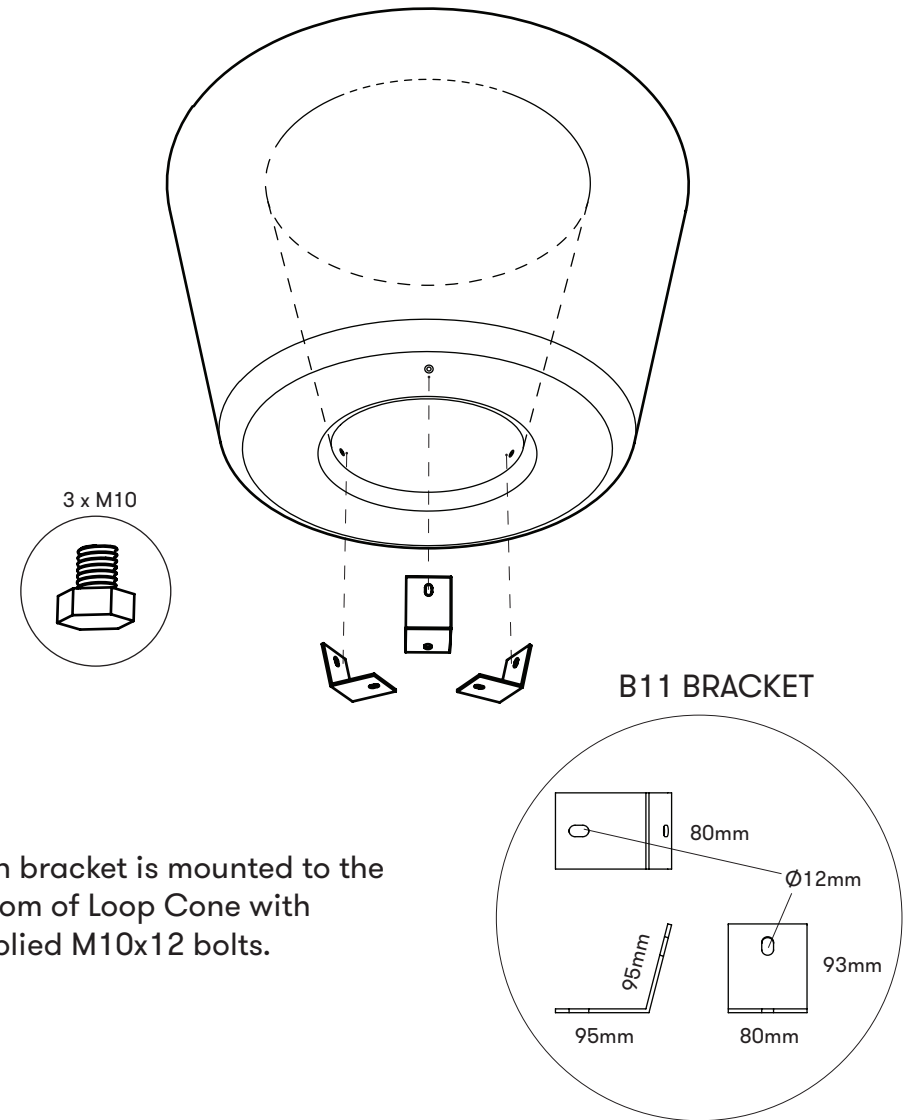


Loop Cone (22 kg)
+ water up to the filling cap
(305 liters water) ~ 327 kg

or:

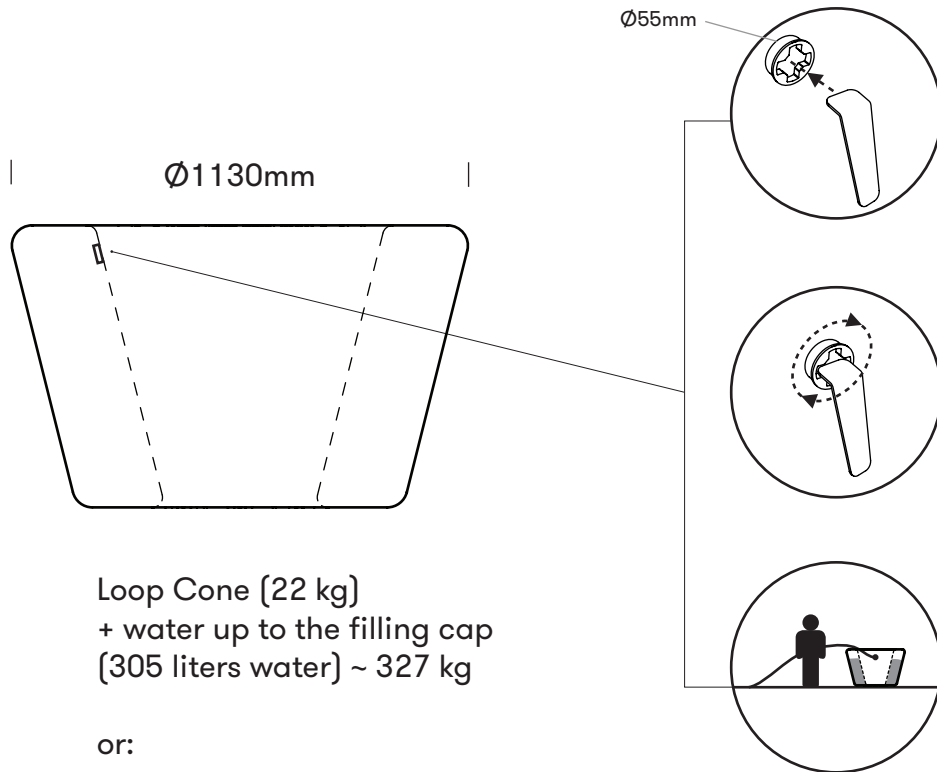
Loop Cone (22 kg)
+ sand up to the filling cap
(490 kg sand) ~ 512 kg

B11 BRACKET FOR SURFACE MOUNTING / **PLANTER**



Each bracket is mounted to the bottom of Loop Cone with supplied M10x12 bolts.

FILLED WITH WATER OR SAND / **TABLE**

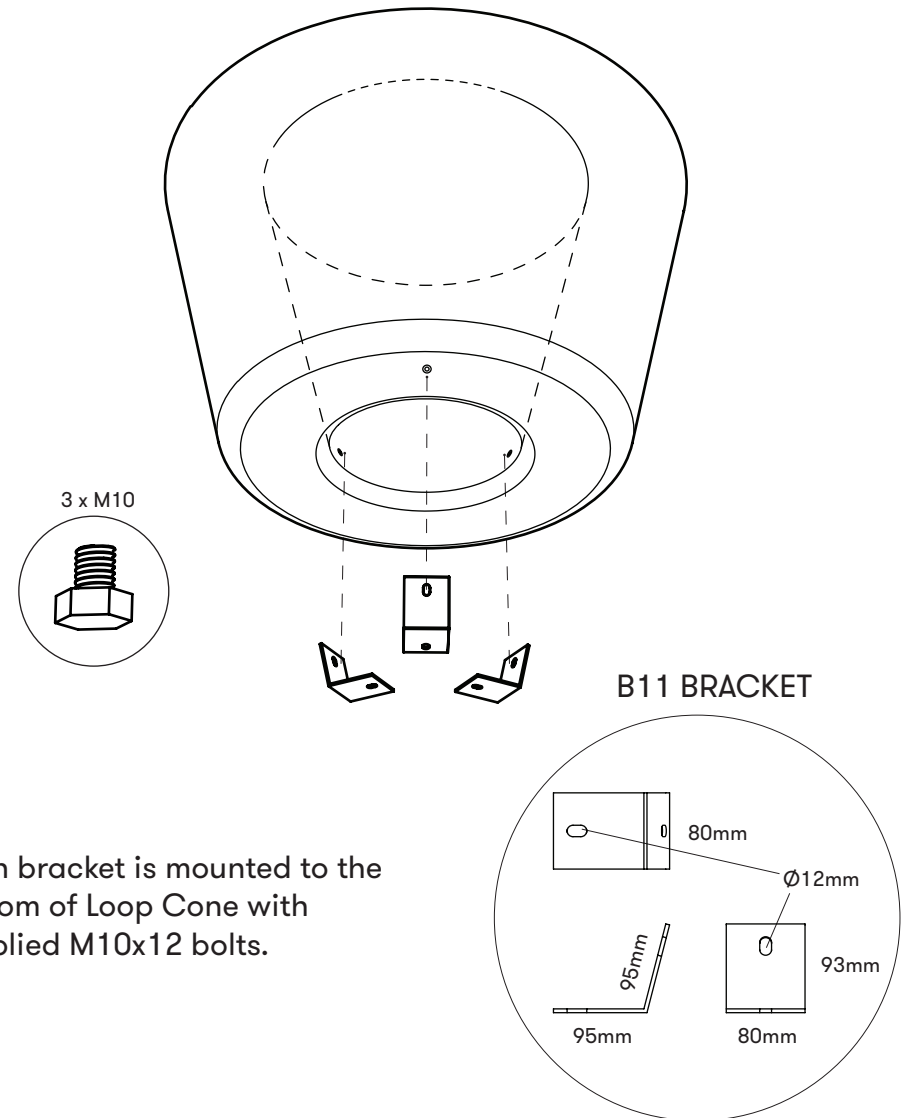


Loop Cone (22 kg)
+ water up to the filling cap
(305 liters water) ~ 327 kg

or:

Loop Cone (22 kg)
+ sand up to the filling cap
(490 kg sand) ~ 512 kg

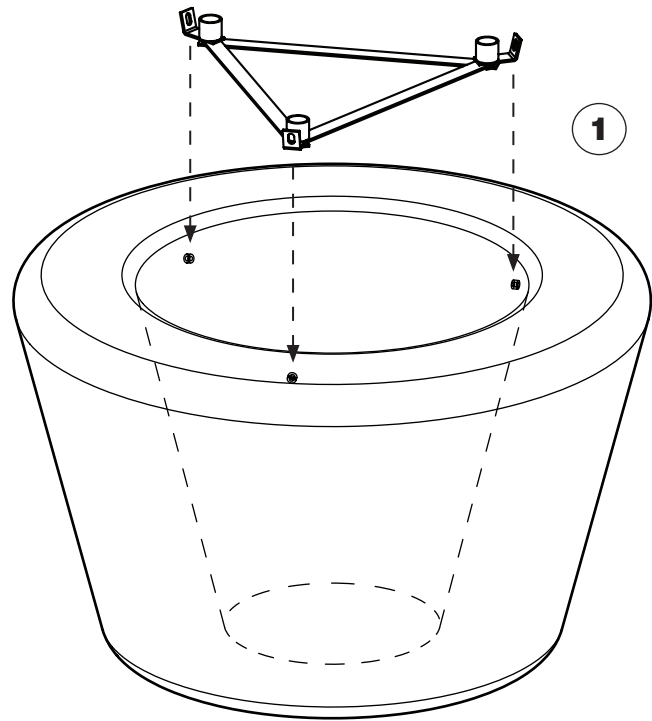
B11 BRACKET FOR SURFACE MOUNTING / **TABLE**



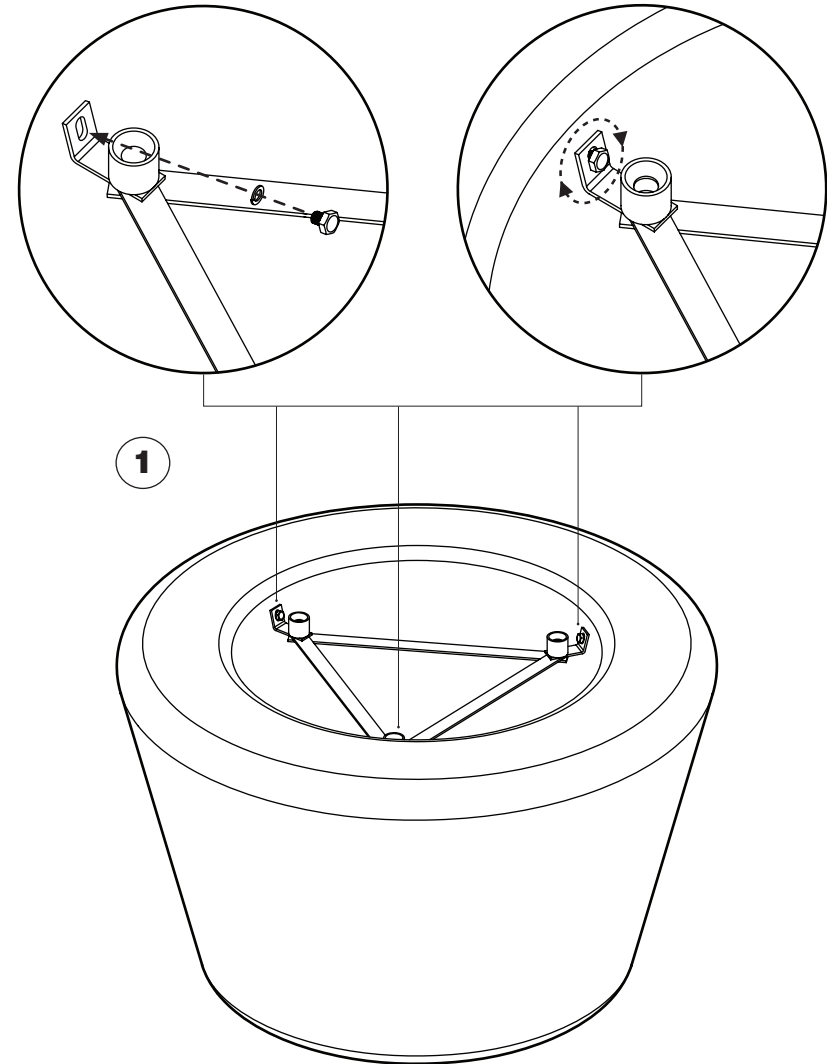
Each bracket is mounted to the bottom of Loop Cone with supplied M10x12 bolts.

MOUNTING THE TABLETOP USING THE BRACKETS SUPPLIED / **TABLE**

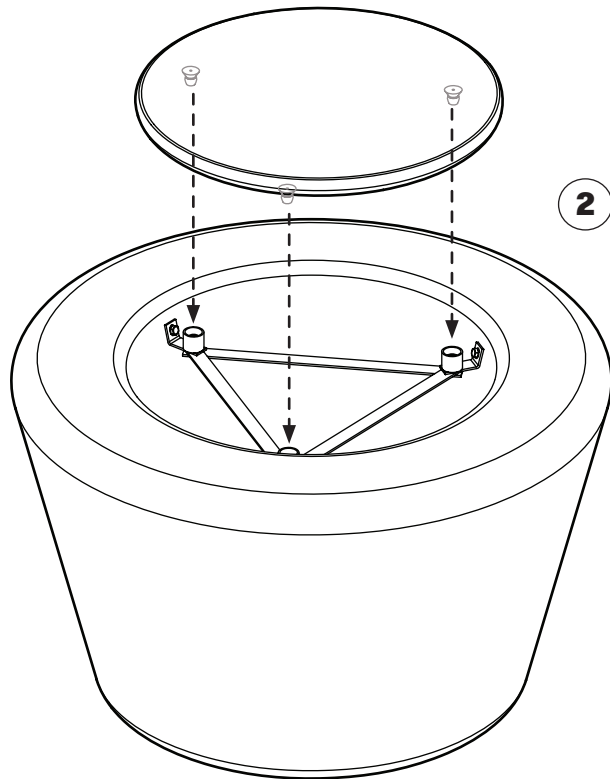
- 1 The assembled brackets are mounted into the 3 inserts using the M10 bolts and washers supplied.
- 2 Press the tabletop into the 3 rubber plugs in the bracket. Note that the tabletop may require a sharp push to click into place.
- 3 Adjust the height as necessary to ensure that the tabletop is flush with the edge of Loop Cone (see step 3, page 06).



MOUNTING THE TABLETOP USING THE BRACKETS SUPPLIED / **TABLE**

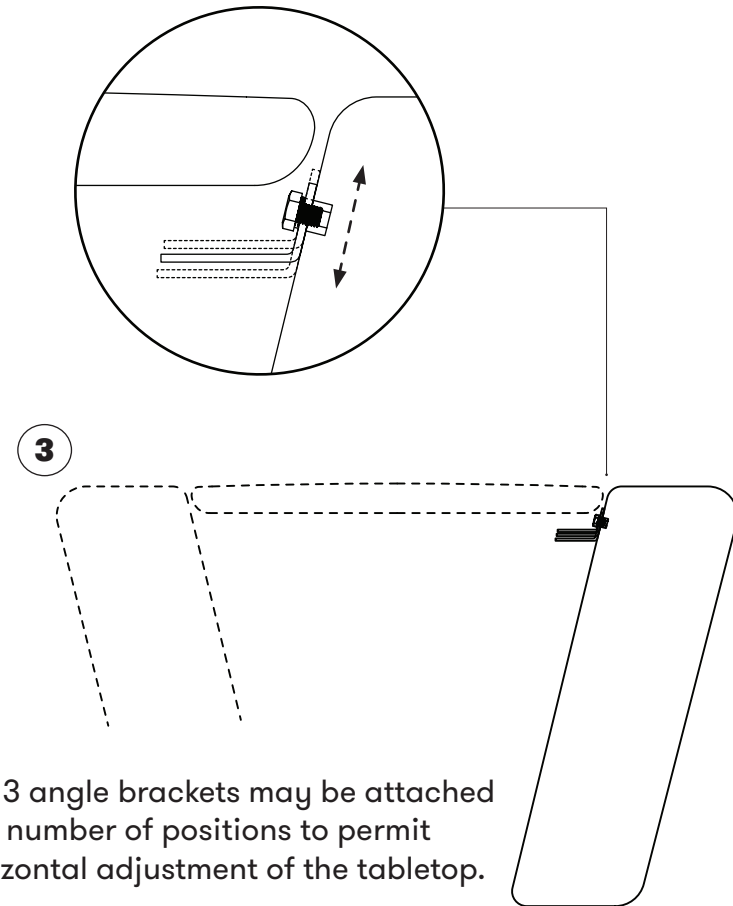


MOUNTING THE TABLETOP USING THE BRACKETS SUPPLIED / **TABLE**



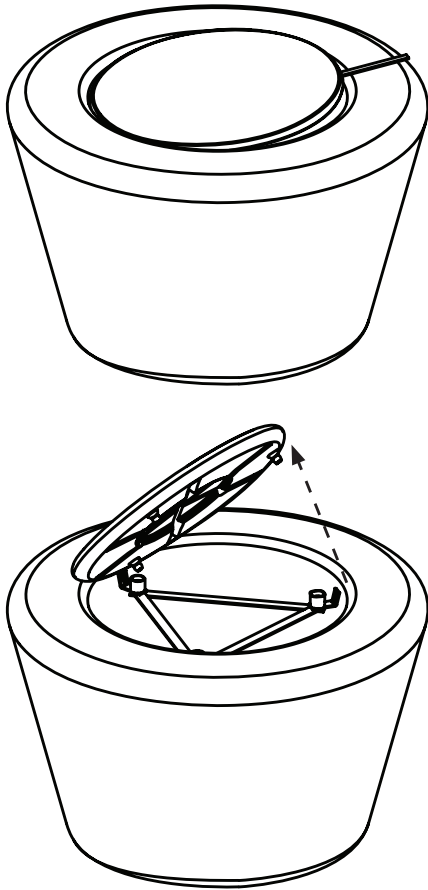
Begin by placing one of the 3 connectors into one of the 3 rubber plugs. Then turn the tabletop to make the last 2 connectors match the rubber plugs. Push the tabletop into all 3 plugs. You will hear a click when the tabletop is pushed into the correct position.

ADJUSTING THE TABLETOP W. FLEXIBLE ANGLE BRACKETS / **TABLE**



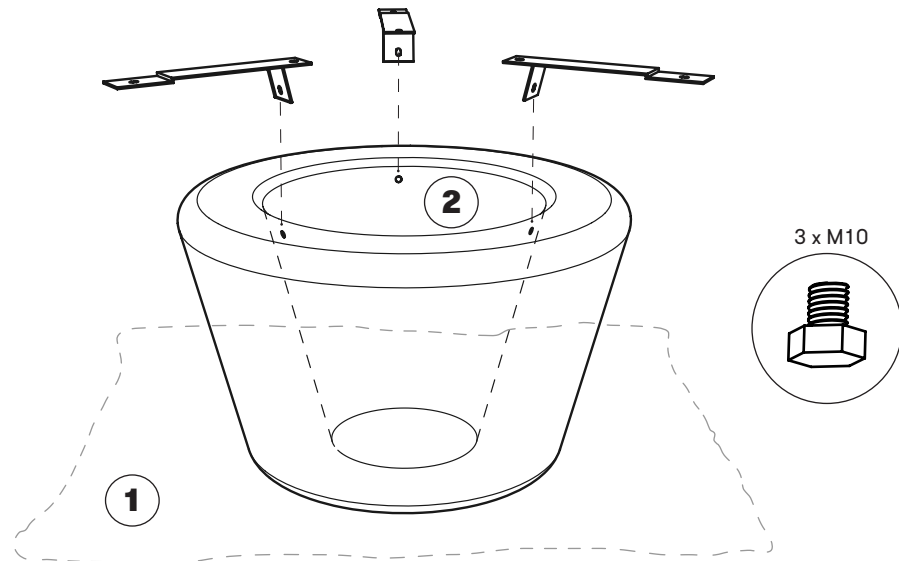
The 3 angle brackets may be attached in a number of positions to permit horizontal adjustment of the tabletop.

Lift off the tabletop (see page 07) before loosening the bolts and pushing the bracket into a suitable position.

DISMANTLING THE TABLETOP FOR MAINTENANCE / **TABLE**

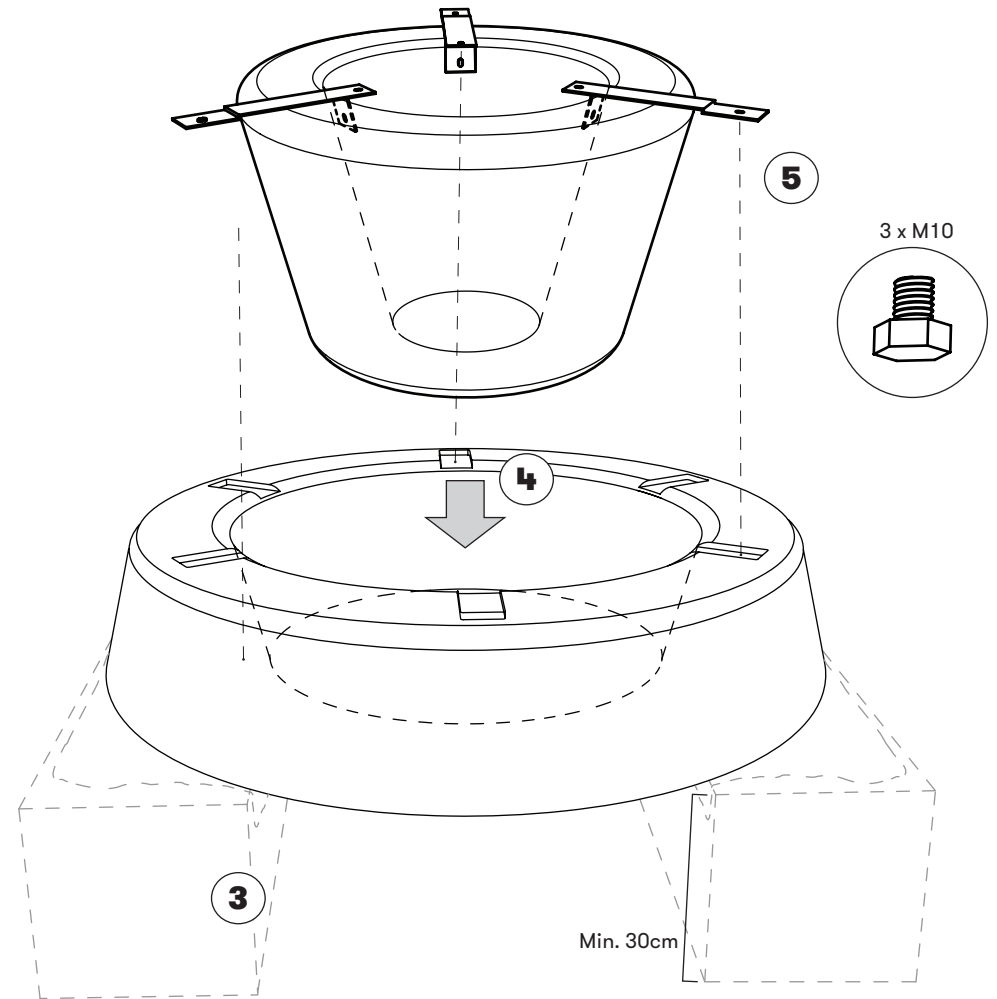
The tabletop can be removed to adjust the height or to clean inside Loop Cone. Position the tool level with one of the 3 plugs between the tabletop and Loop Cone and tilt it to loosen the tabletop. It is important to loosen all 3 plugs prior to lifting the tabletop. Use a rag between the tool and the surface in order to protect your products from marks and scratches.

ASSEMBLY WITH LOOP USING B13 ASSEMBLY BRACKET / **BACKREST**



- 1 Loop Cone is placed as shown (large diameter upwards) on a non-damaging layer (e.g. a blanket).
- 2 In total 3 brackets (b13) is mounted on the inside of Loop Cone with supplied M10 x12 bolts as shown above.
- 3 Loop is elevated at least 30cm above the ground (e.g. 3 EURO pallets) as shown above. Remember non-damaging layer.
- 4 Loop Cone is lowered into the inner part of Loop.
- 5 B13 brackets are mounted in the recesses in the bottom of Loop with supplied M10 x12 bolts.

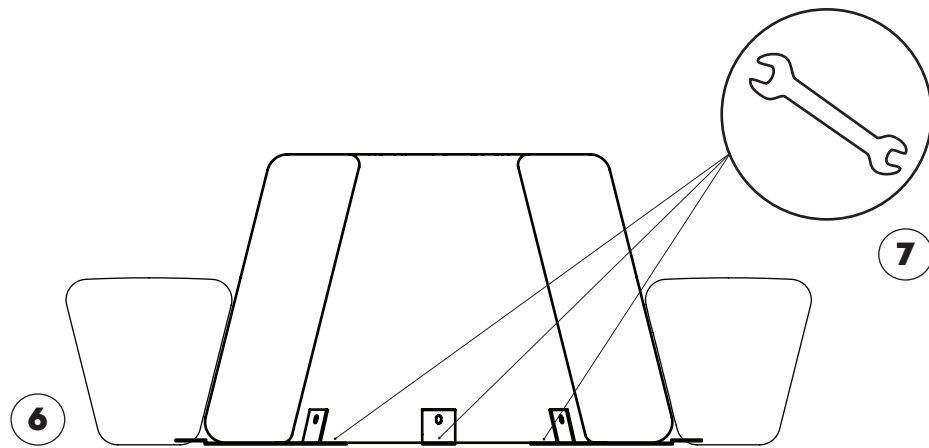
ASSEMBLY WITH LOOP USING B13 ASSEMBLY BRACKET / **BACKREST**



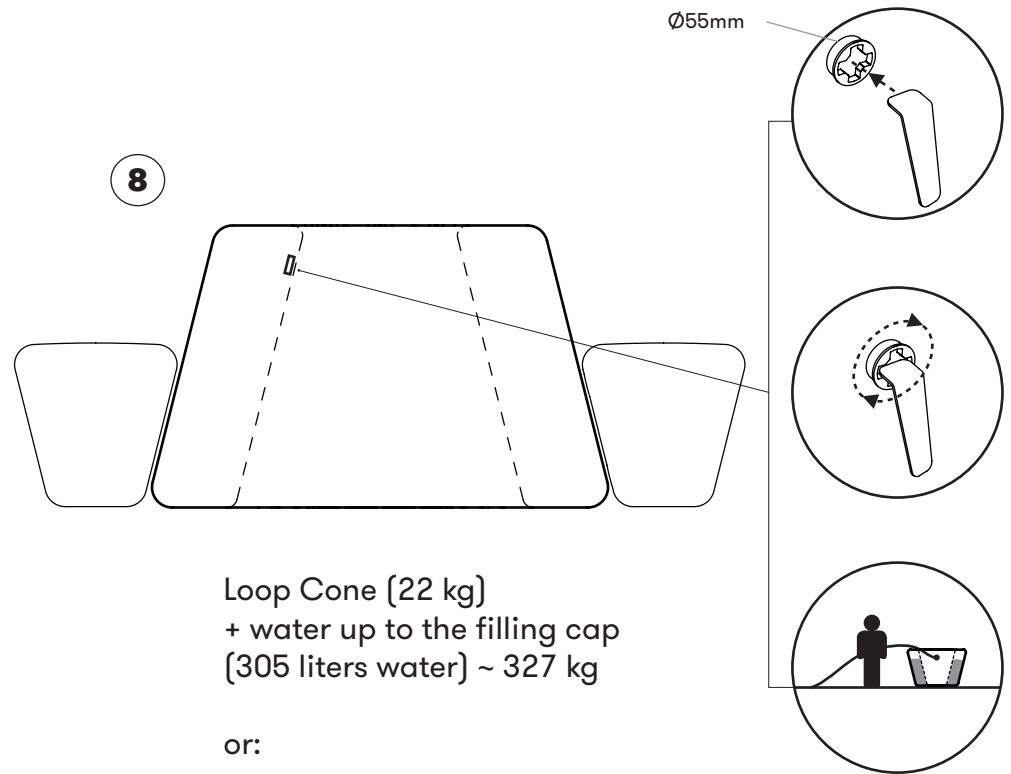
NB: continued on page 09

ASSEMBLY WITH LOOP USING B13 ASSEMBLY BRACKET / **BACKREST**

- 6 The assembly (Loop Cone + Loop) is elevated, turned and placed on ground with the brackets facing downwards.
- 7 The brackets and assembly can be mounted to the ground.
- 8 Loop Cone can be filled with water or with sand, if mounting is not possible or wanted.



FILLED WITH WATER OR SAND / **BACKREST**



Loop Cone (22 kg)
+ water up to the filling cap
(305 liters water) ~ 327 kg

or:

Loop Cone (22 kg)
+ sand up to the filling cap
(490 kg sand) ~ 512 kg

CLEANING INSTRUCTIONS

The material polyethylene withstands almost all detergents. Polyethylene requires no maintenance. The dyed polyethylene preserves the colour - minimal fading by the sun is to be expected.

Pressure washers can be used with advantage to clean the product. This service is often offered by companies that remove graffiti.

After cleaning, use vinyl polish (same as used for car interior) to make the product shine.

SLIP RESISTANT SURFACES

The products have a textured/granulated surface due to abrasive blasting of the mold.

This process increases friction, resulting in a less slippery surface.

TABLE TOP

The tabletop of the Loop Table features a smooth surface that requires the same kind of maintenance as the other units.