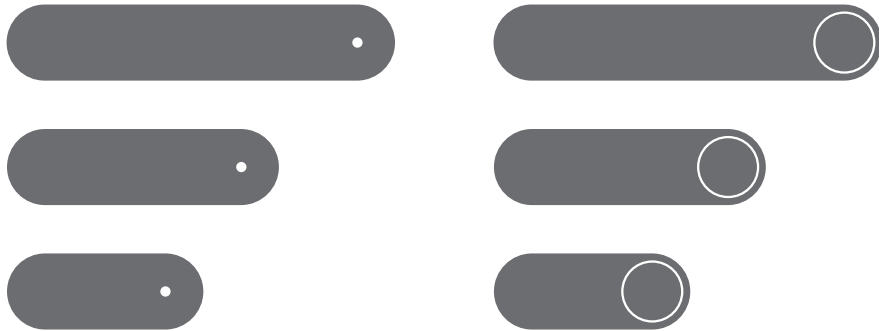


PLATEAU SEAT #195

MOUNTING INSTRUCTIONS





PLATEAU Seat

PLATEAU Seat w. table

PLEASE NOTE:

The drawings in this manual show PLATEAU Seat 900 - the small version. The exact same mounting principles are applied to the 1250 and the 1800 versions.

INDEX:	PAGE
Unpacking the shipment.....	03
Mounting of surface bracket.....	04
Mounting of Seat on surface bracket.....	05
Disassembly of disc and disc-tube.....	06
Mounting of Side-table on Seat.....	07
Cleaning.....	08

PARTS INCLUDED FOR MOUNTING

Seat 900

- 2 pcs M8×100 allen key bolt
- 2 pcs M8 nuts
- 2 pcs M8 washer

Seat 1250

- 4 pcs M8×100 allen key bolts
- 4 pcs M8 nut
- 4 pcs M8 washer

Seat 1800

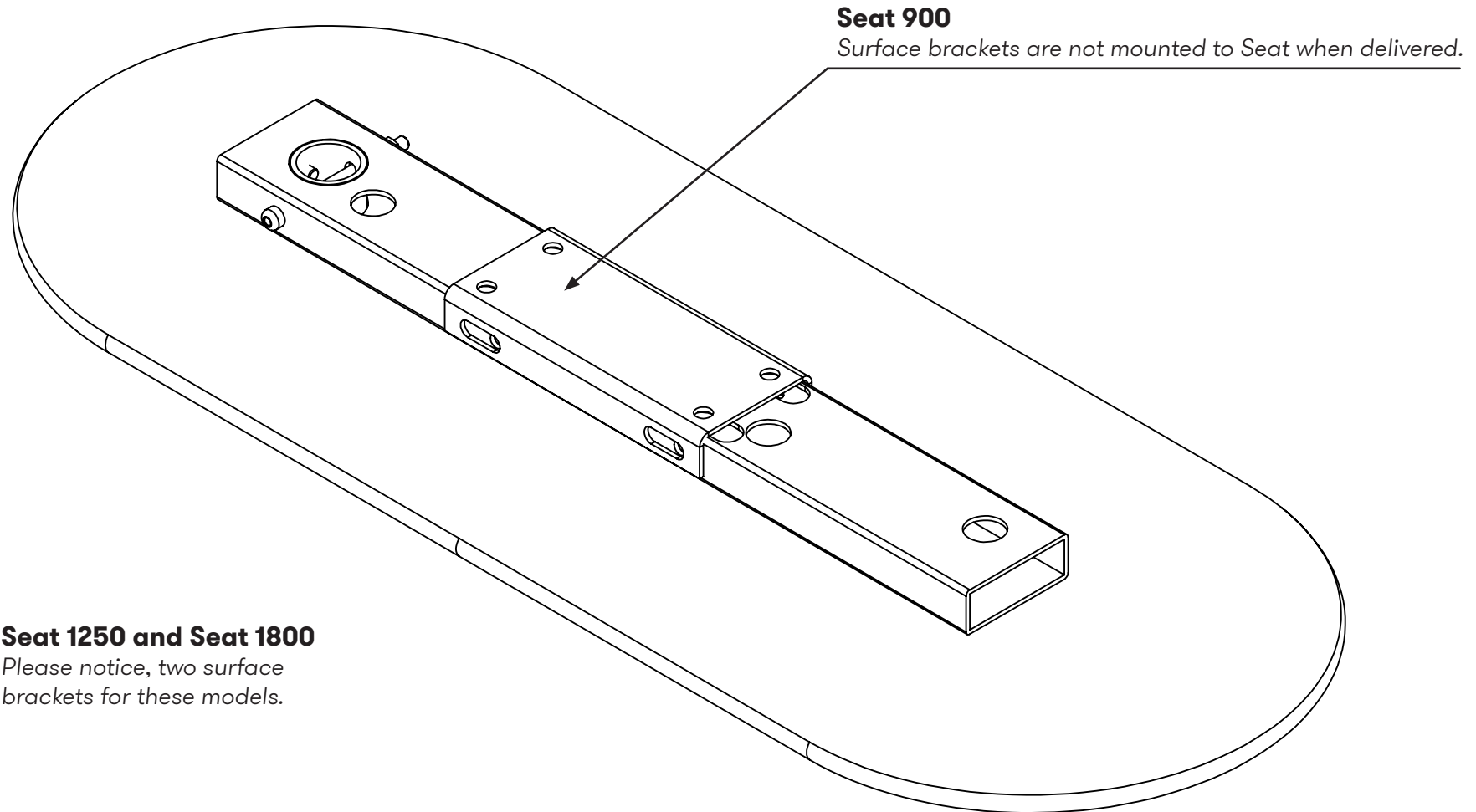
- 4 pcs M8×100 allen key bolts
- 4 pcs M8 nuts
- 4 pcs M8 washer

TOOLS NEEDED FOR MOUNTING (NOT INCLUDED)

- Allen key no 6
- 17mm wrench/spanner
- Screws and bolts for the mounting of the surface bracket (depends on customer wishes and surface, see p. 04)

UNPACKING THE SHIPMENT

Cut the safety straps, remove protective material and unbox mounting parts (check list page 02) and surface bracket.



Seat 900

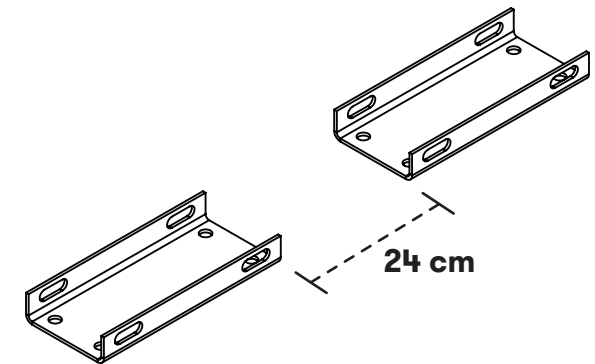
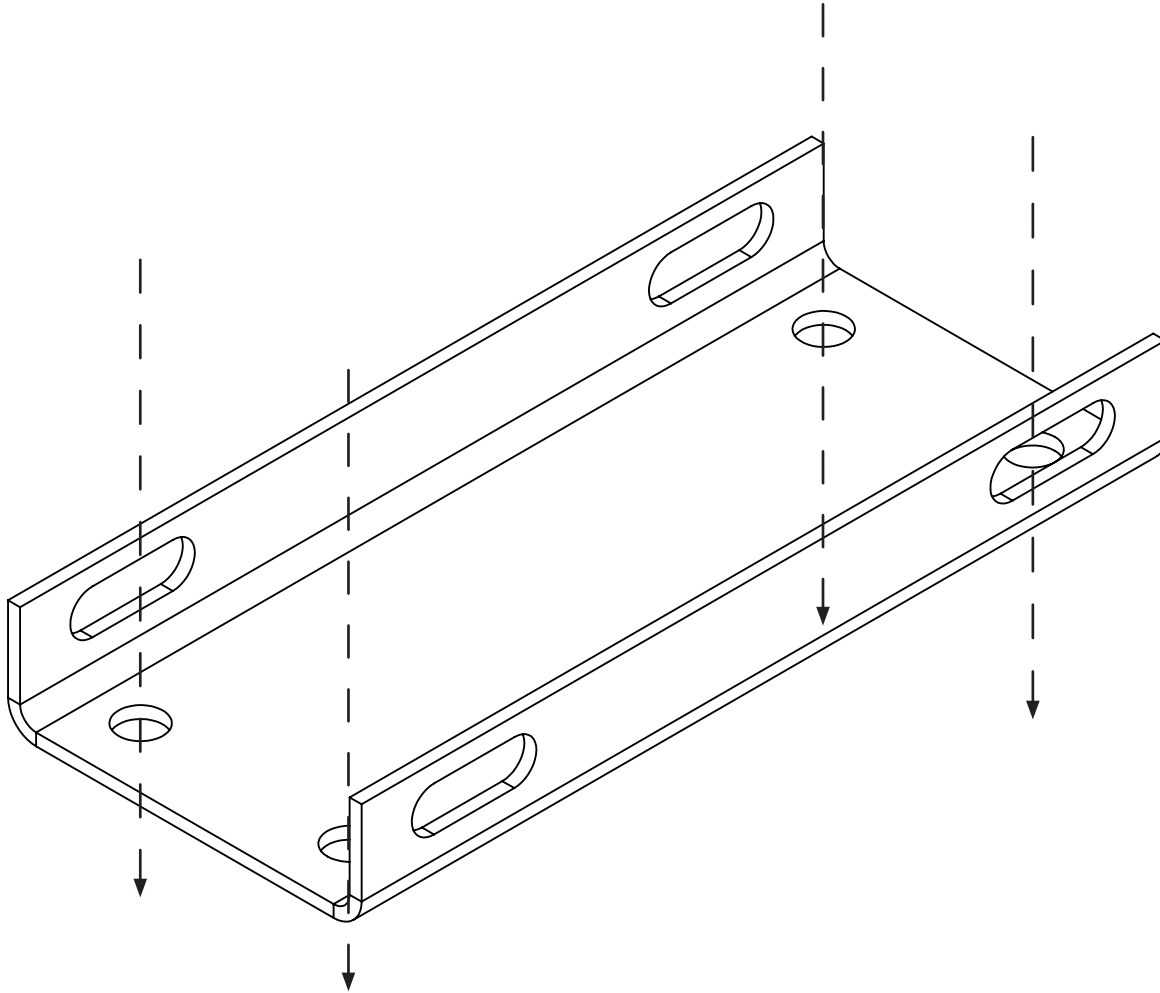
Surface brackets are not mounted to Seat when delivered.

Seat 1250 and Seat 1800

Please notice, two surface brackets for these models.

MOUNTING OF SURFACE BRACKET

The surface bracket needs to be mounted on a surface before its assembled with Seat.
The bracket has four holes made ready for surface mounting. Use your preferred bolts or screws to mount the bracket.

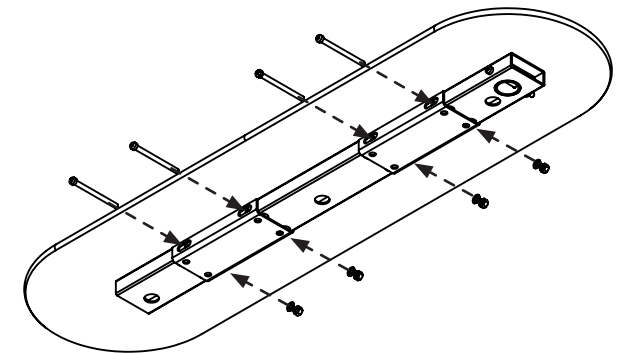
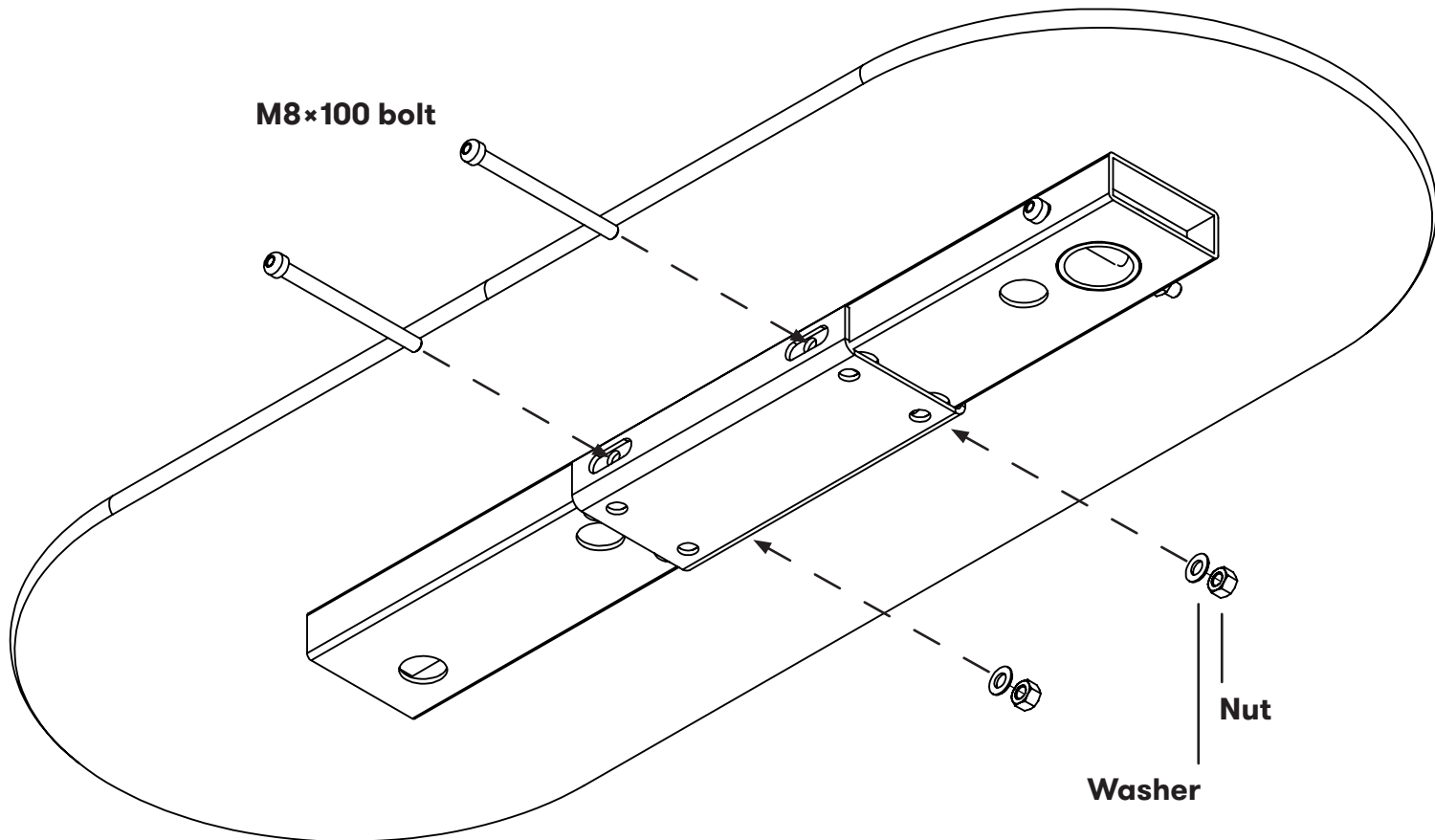


Seat 1250 and Seat 1800

Make sure the two brackets have the correct distance (24cm) between them, before mounting them to the surface.

MOUNTING OF SEAT ON SURFACE BRACKET

Use the included M8 × 100mm allen key bolts to fix the sitting surface to the fixated surface bracket. Tighten the bolts and nuts with allen key no 6. and a 17mm spanner tool.



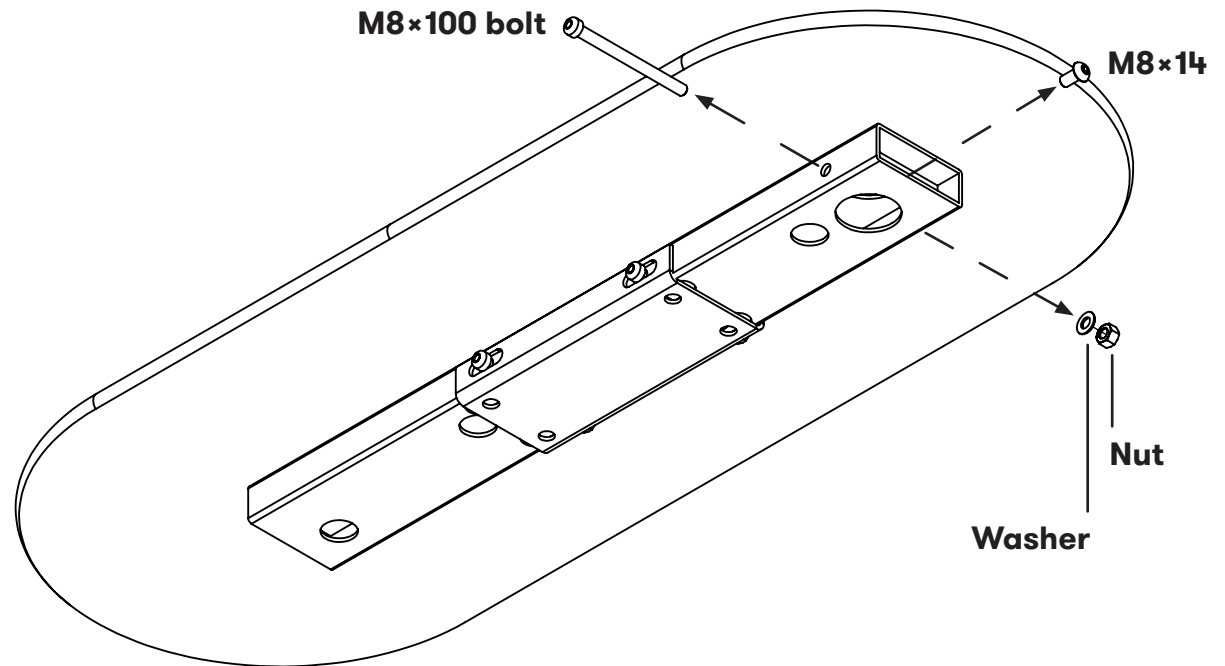
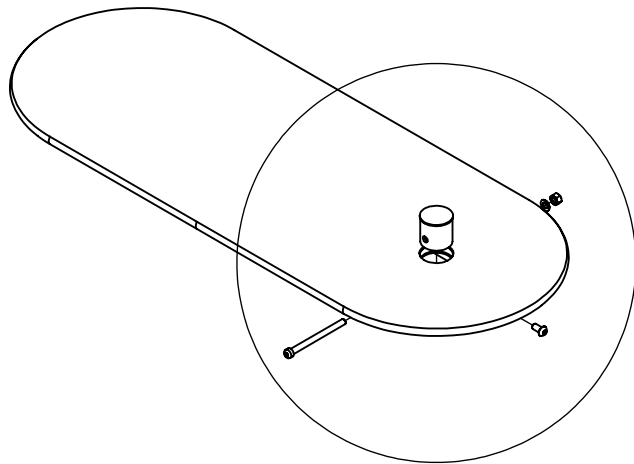
Seat 1250 and Seat 1800
Use two brackets, same principle.

PLATEAU SIDE-TABLE #200

DISASSEMBLY OF DISC AND DISC-TUBE.

Use allen key no 6 to unfasten the M8×100mm and the M8×14mm bolts. Then pull out the disc and disc-tube from the circular slot in the seating surface. Save the bolts, nut and washer for the mounting of Side-table.

Seat 900, 1250, 1800

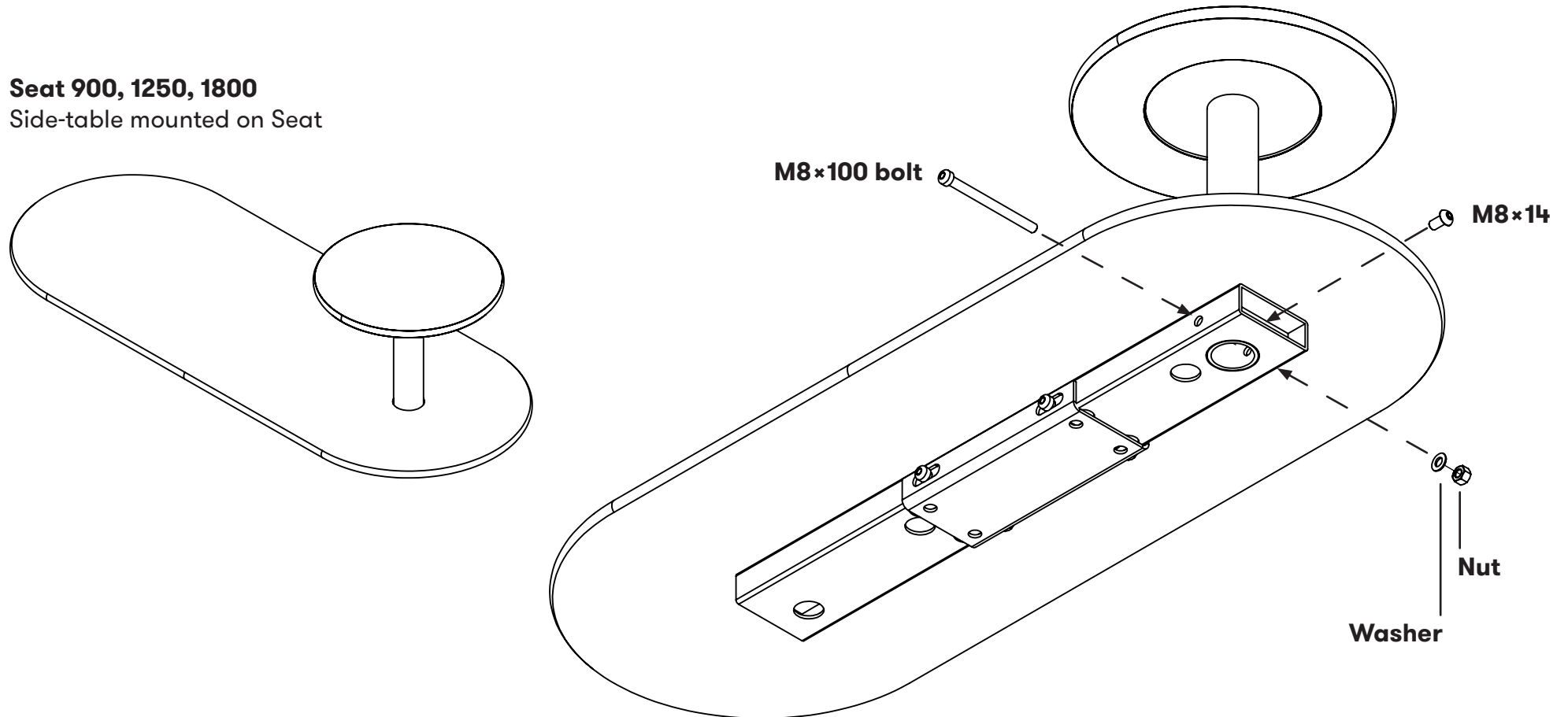


MOUNTING OF SIDE-TABLE ON SEAT

Lower Side-table into the circular slot. Rotate Side-table in such a way, that the two holes align with the steel frame. Reuse the bolts, nut and the washer from your previous disassembly of the disc-tube.

Seat 900, 1250, 1800

Side-table mounted on Seat



CLEANING

Clean the laminate surfaces using hot water and a soft sponge or cloth. Do not use the abrasive 'green' side of sponges.

Common household cleaners without abrasives eg. dish detergent or window cleaner may be used.