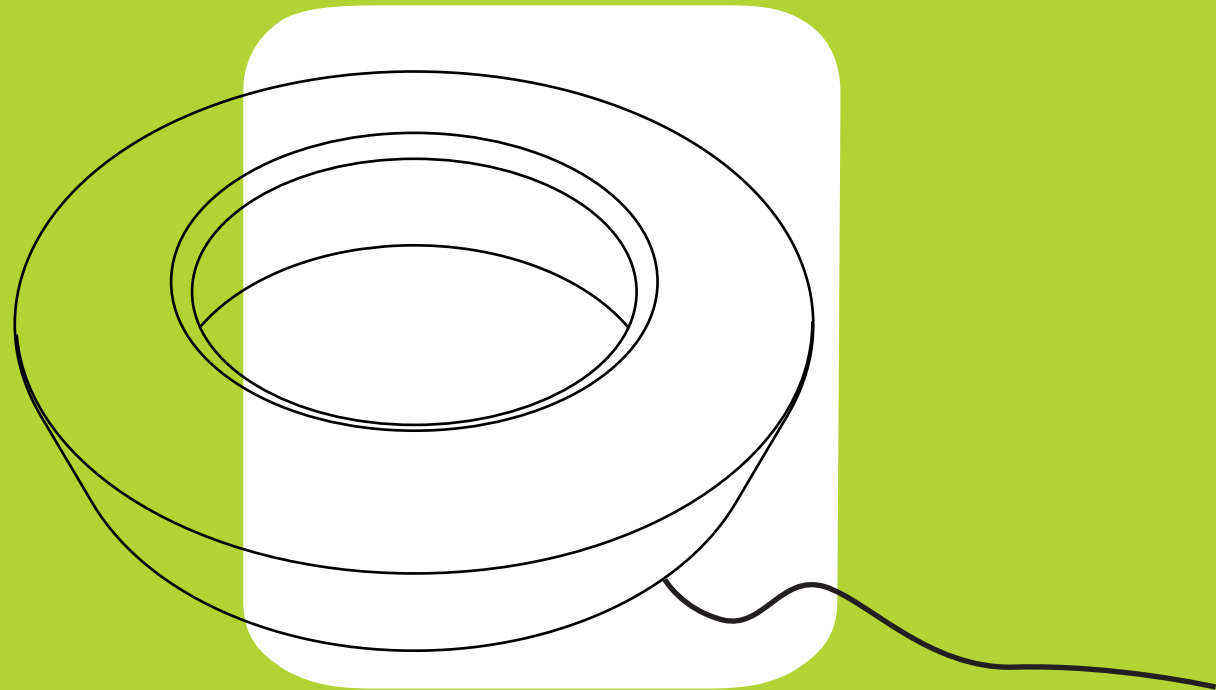


# Mounting instructions

## **Loop Light # 136**



## Loop Light

Inside the Loop Light a 4m Semko-approved LED light tube (Dura-light, halogen white) is mounted making the material glow in the dark.

Loop Light is supplied with an access hatch in the bottom for possible replacement of the light tube.

Loop Light comes fully assembled with a switch box for connecting 230V power supply directly.

Watt consumption is only 10W.

The light tube has a lifespan of minimum 20.000 hours ~ 6 years.

The light does not glow through very dark material colors like dark green and black. Therefore it is recommended to choose colors like red, lime green and orange. Queries are always welcome.

# 136



## Components

Inside the Loop Light a LED light tube is fitted and fixed to a stainless steel ring (photo 1).

The steel ring is fixed to three brackets inside the Loop and the switch box is attached one of the brackets (photo 2).

The switch box (LK Box U9-M 2.5, IP55) measuring 100mm x 70mm allows electric loops / coupling of power. The rubber power cable (HO5RN-F 2x1) for the light tube is connected to the switch box (photo 3).

Two rubber grommets (Thormann TET 10-14) fitted in the switch box bracket allows the power cable connection to the switch box. The brackets are fixed to the bottom of the Loop Light with self-tapping screws and sealed with a rubber profile (photo 4).



Photo 1



Photo 2



Photo 3

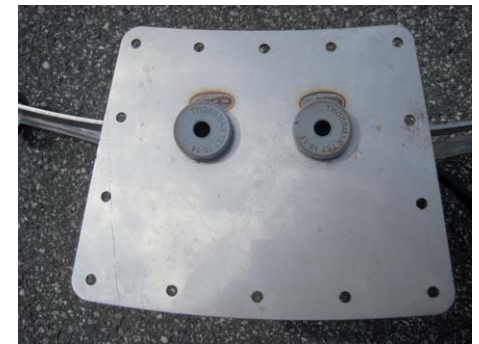


Photo 4

## Mounting and installation

Installation of externally cable to the switch box must be performed by an authorized electrician who must ensure that local rules are complied with (eg insurances).



Photo 1



Photo 2



Photo 3



Photo 4

## Mounting and installation

# 136

1. Place Loop Light upside down - remember to protect the seat area with cardboard / carpet or other gentle materials.
2. Remove the stainless steel bracket with its 2 rubber grommets by unscrewing the screws (photo 3).
3. Lift the bracket slightly so that the grey switch box appears. Then remove the plastic cover of the switch box (photo 4).
4. Connect the external power cable to the switch box through the rubber grommets. The external cable must be connected to the internal cable situated in a power clamp in the switch box.
5. Attach the plastic lid to the switch box and fasten the bracket to the bottom of the Loop Light. Remember the sealing rubber when fastening the brackets.
6. Test if the light tube is working.
7. Mount the fixation brackets in the three M10 thread inserts if ground fixation is required.
8. Turn the Loop Light.
9. Fix the power cable to the ground.
10. Fix Loop Light to the ground using the fixation brackets if ground fixation is required.

ATTENTION: Loop Light can not be filled with water or sand!

## Replacing the light tube

---

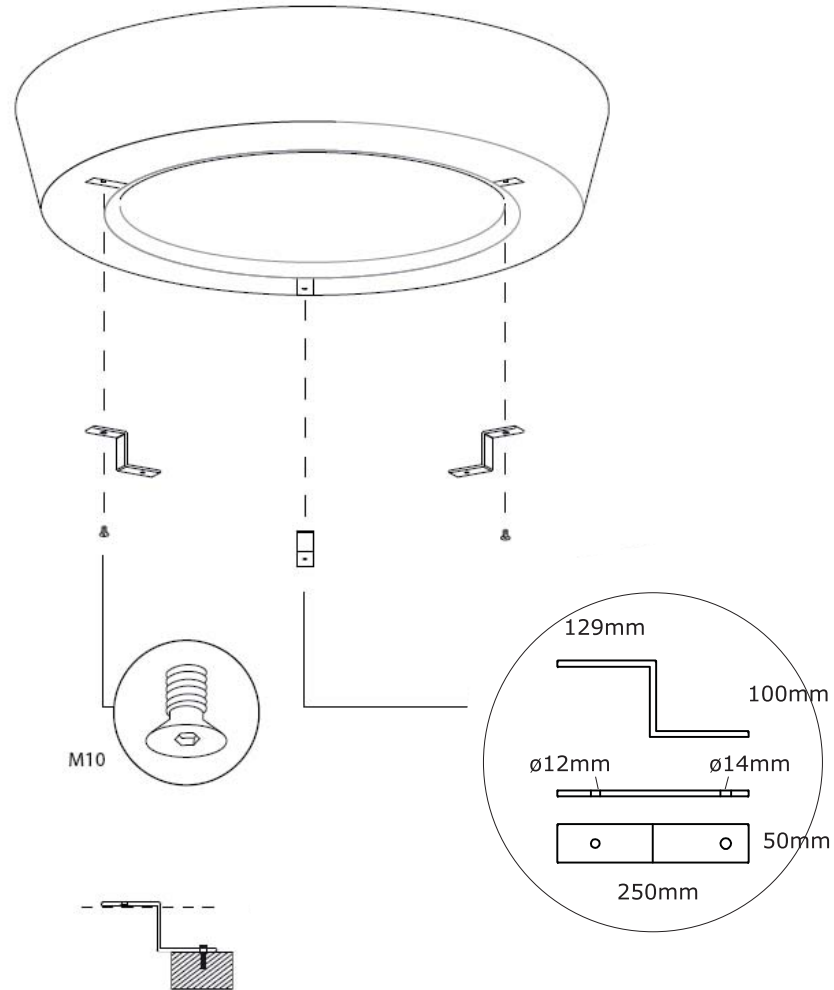
# 136

---

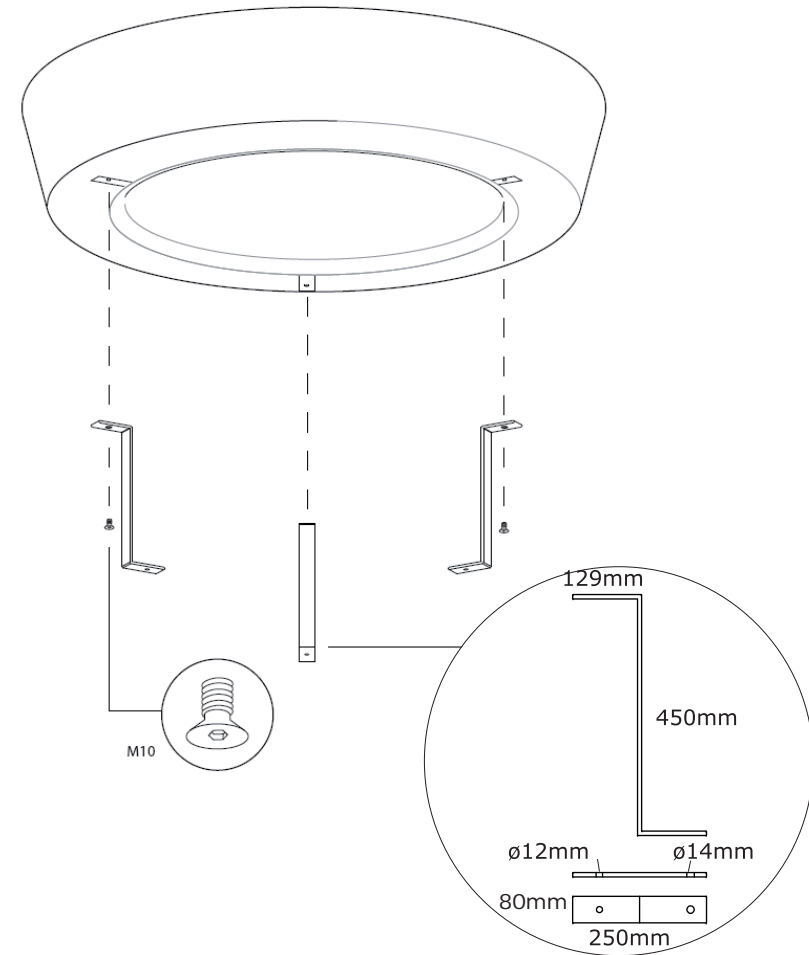
1. Disconnect the power source.
2. Dismantle the ground fixation and turn and place Loop Light upside down - remember to protect the seat area with cardboard / carpet or other gentle materials.
3. Unscrew the stainless steel bracket with the two rubber grommets from the bottom of Loop Light. Disconnect the power cable.
4. Unscrew the other two stainless steel brackets.
5. Dismantle the three brackets from the inner steel ring (with the light tube) by unscrewing the three screws fixing them together.
6. The steel ring and the attached light tube can now be pulled out through one of the holes in the loop.
7. Dismantle the LED light tube and fasten a new LED light tube (strips can be used).
8. Install the steel ring and the newly attached LED light tube the same way as they were removed.
9. Connect the power cable from the LED light tube to the switch box before the brackets are fastened.  
Make sure that the seals are intact on the 3 brackets before fixation.



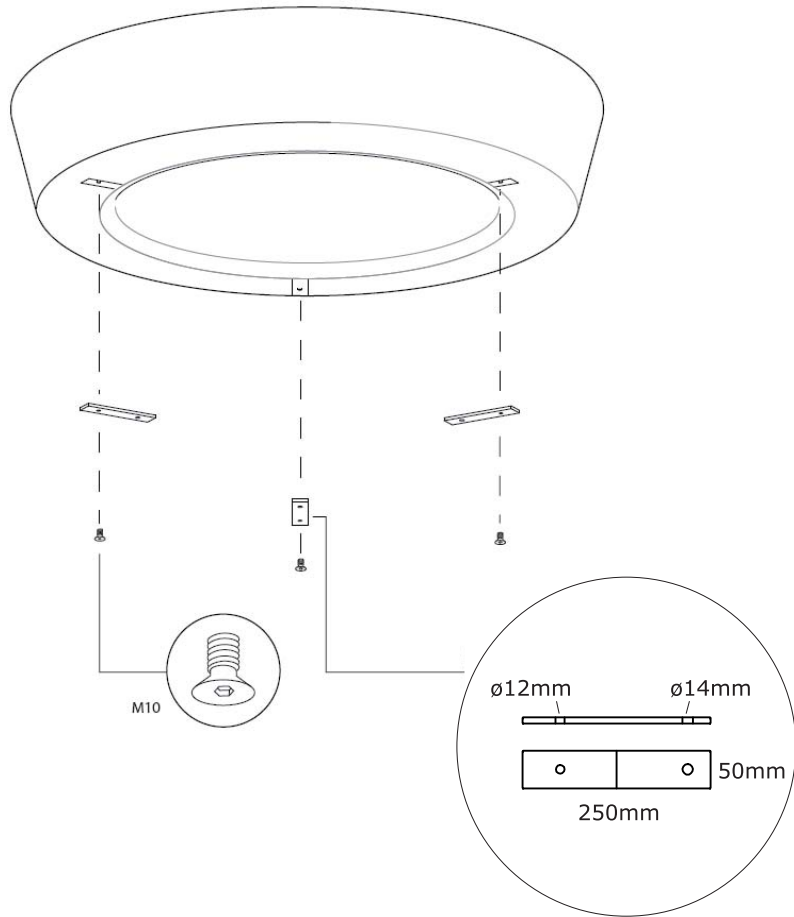
B1 bracket for ground fixation



B2 long bracket for ground fixation

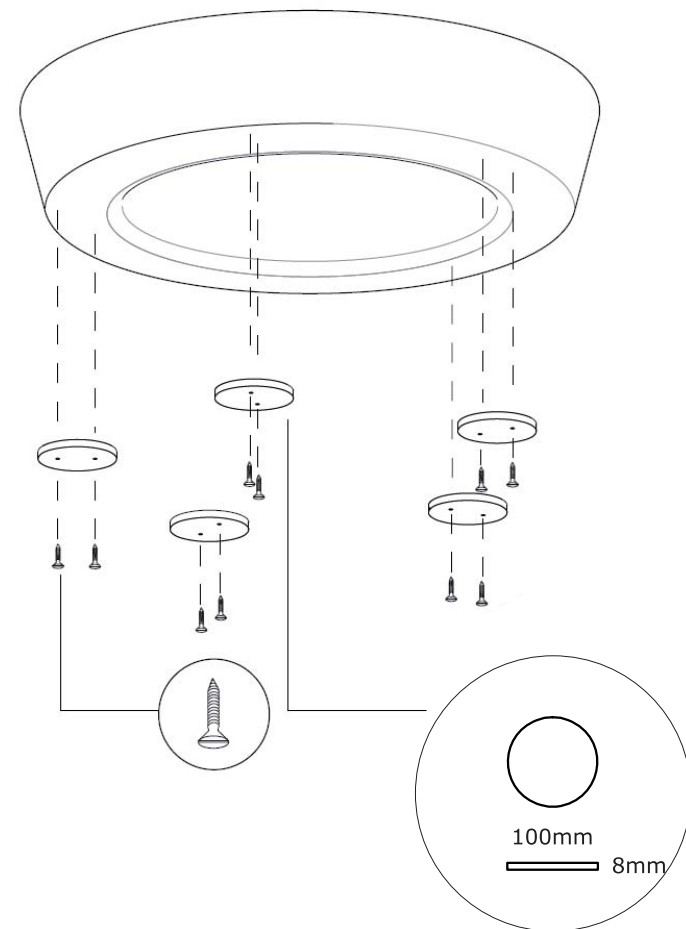


B3 bracket for plane fixation



Each bracket is mounted onto the bottom of Loop with supplied M10x16 unbrako bolts.

Rubber feet



Each rubber foot is mounted with 2 screws. Loop is mounted with 5 rubber feet in total.  
 NOTICE! If Loop is to filled with water it is important not to mount the rubber feet with screws. In that case just place the feet unattached.

## Cleaning instructions

---

The material polyethylene withstands almost all detergents.

Polyethylene requires no maintenance.

The dyed polyethylene preserves the colour - minimal fading by the sun is to be expected.

Pressure washers can be used with advantage to clean the product. This service is often offered by companies that remove graffiti.

After cleaning, use vinyl polish (same as used for car interior) to make the product shine.

## Slip resistant Surfaces

---

# 136

The products have a textured/granulated surface due to abrasive blasting of the mold.

This process increases the friction, resulting in a less slippery surface.