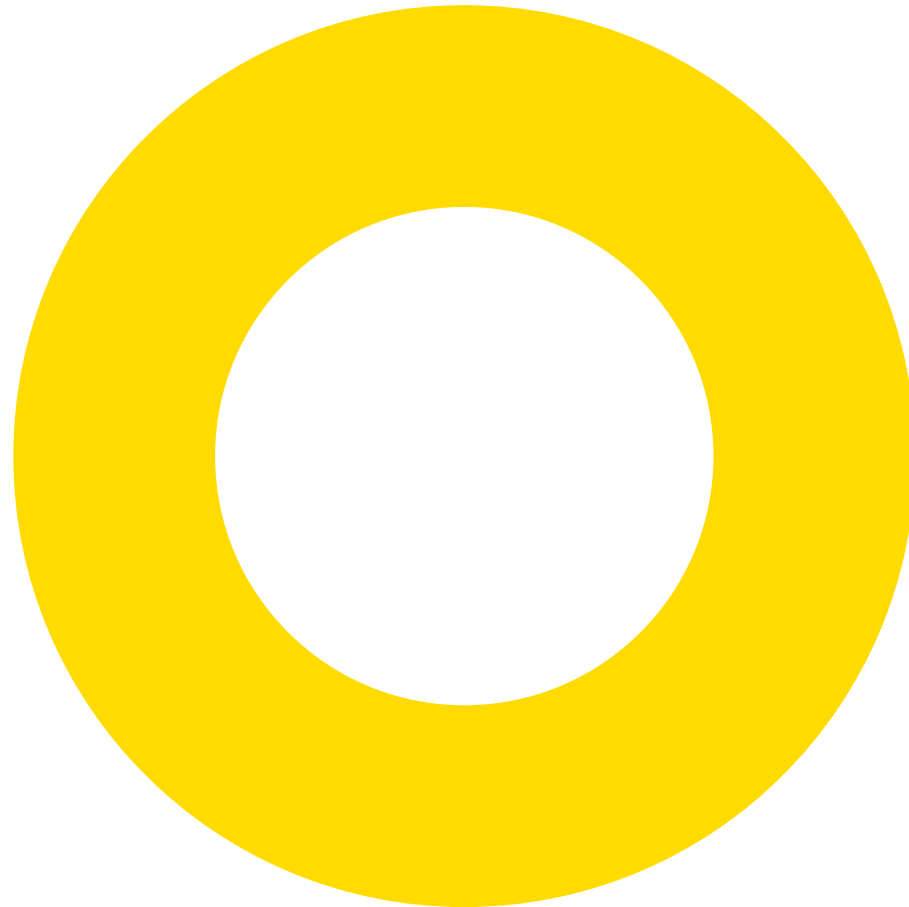
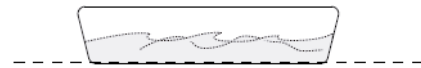


**LOOP
#135**

MOUNTING INSTRUCTION

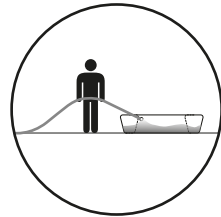
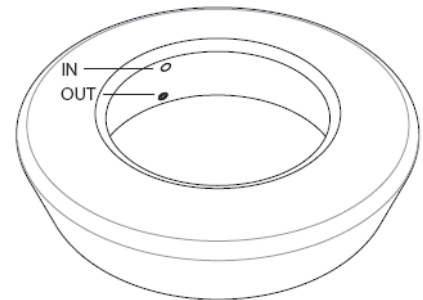
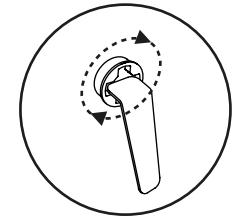
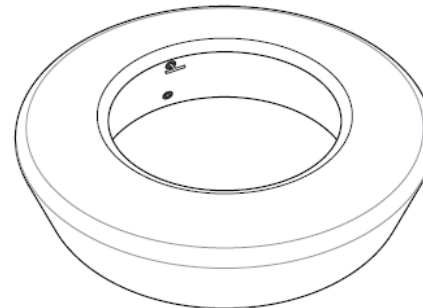
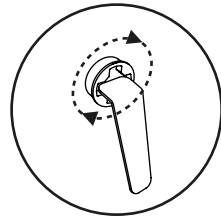
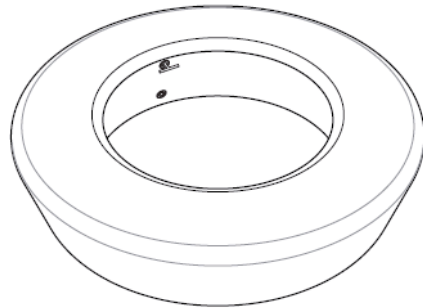
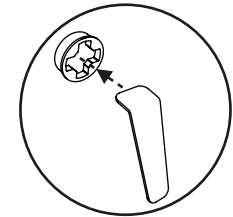
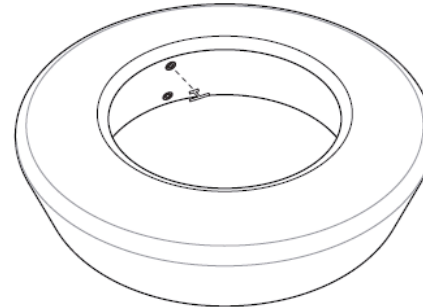
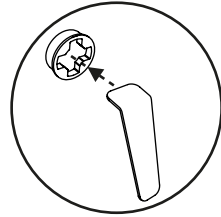
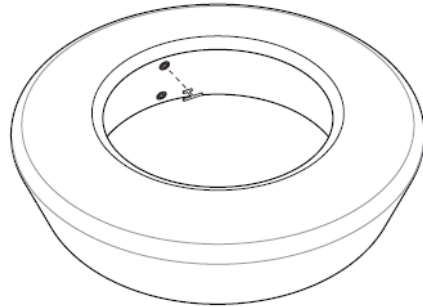




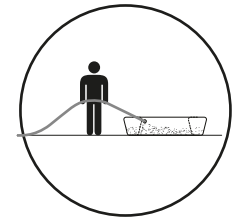
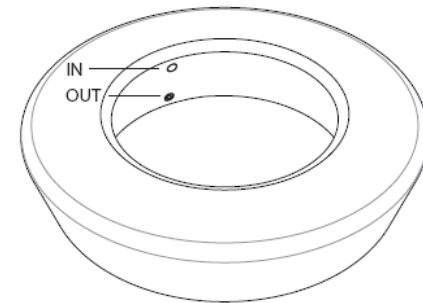
FILLED WITH WATER



FILLED WITH SAND



LOOP (37 kg)
+ 250 litres water
~ 287 kg



LOOP (37 kg)
+ 250 kg sand
~ 287 kg

SAND BLASTING PLASTIC PRODUCTS

If you wish to hire a company to do the job, seek suppliers called **sand blaster**.

If you want to do the job yourself, equipment can be rented by companies supplying the construction industry. Search for **sand blasting equipment**.

Equipment that will be used to fill in the sand:

- 1) Sand, easiest with fine blowing sand
0.3-1.0mm, oven dried
- 2) Sand pot
- 3) Compressor
- 4) Hose, max Ø50mm

**It is recommended to consult professionals as well as instruction manuals on the equipment before it is used.*



1) Sand



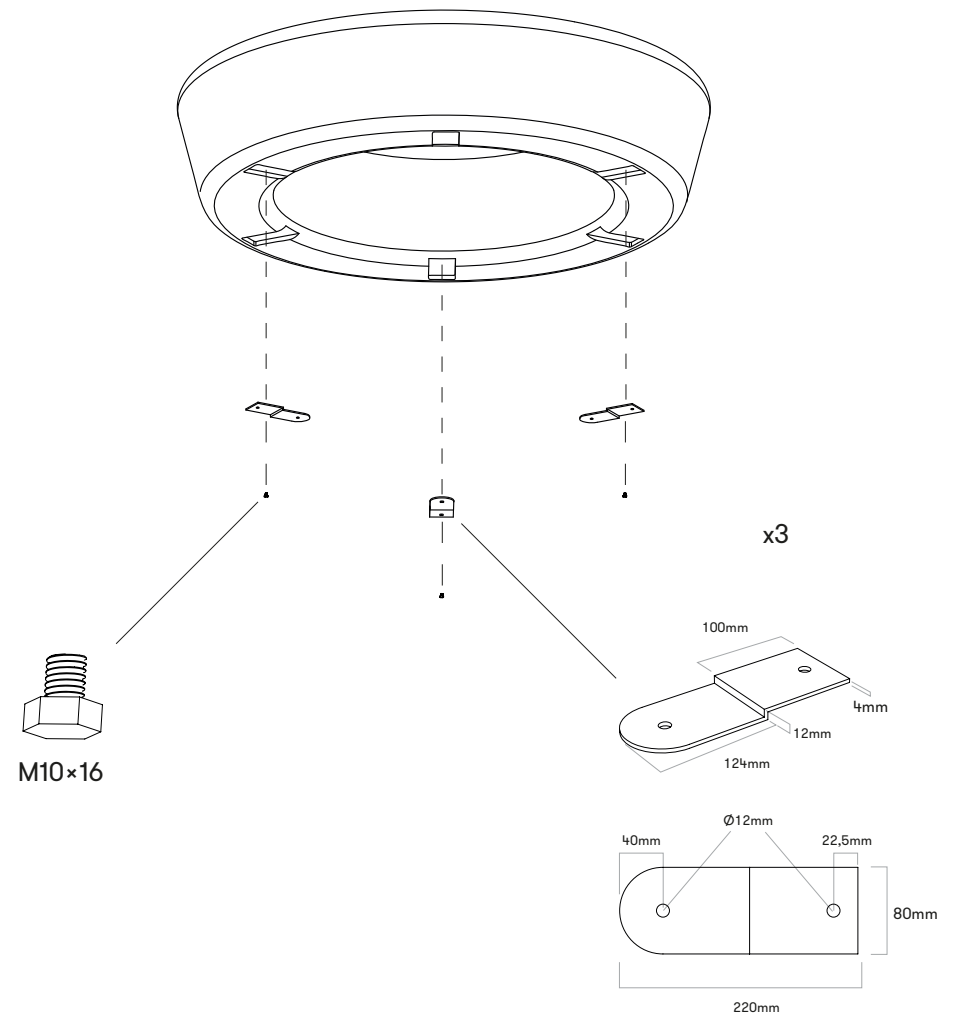
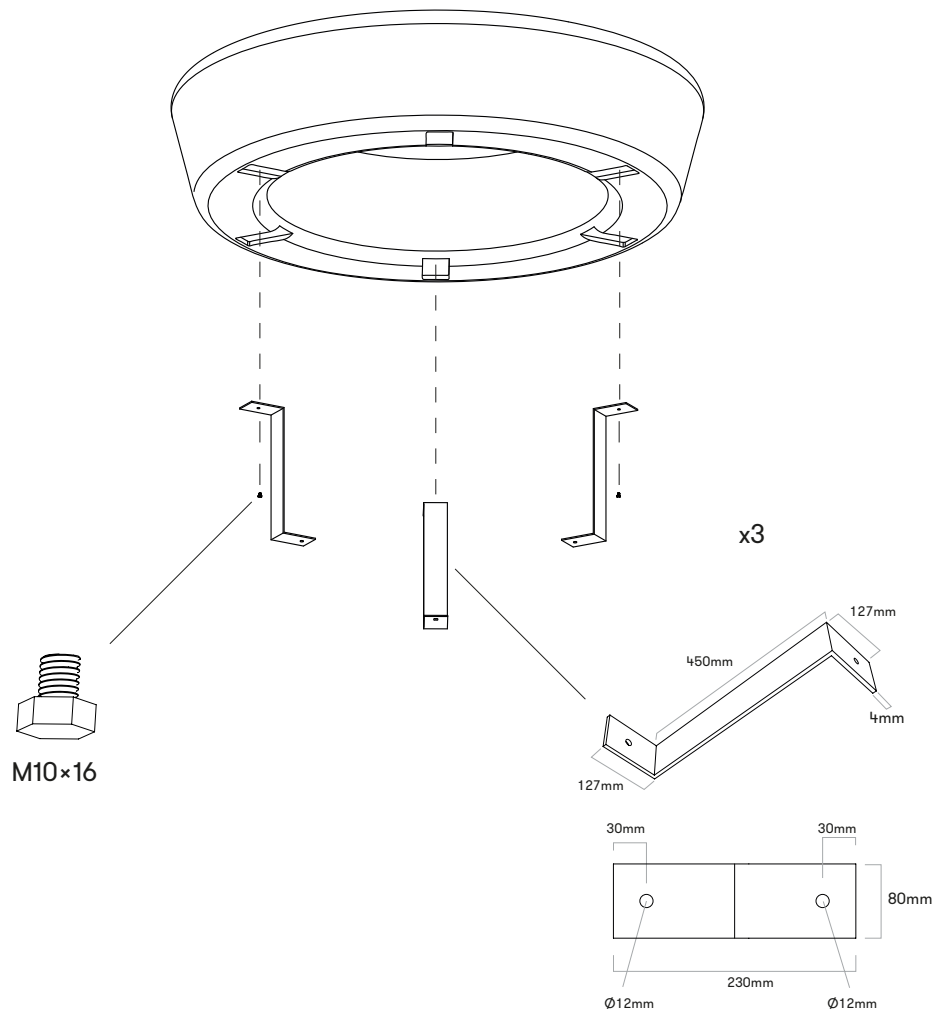
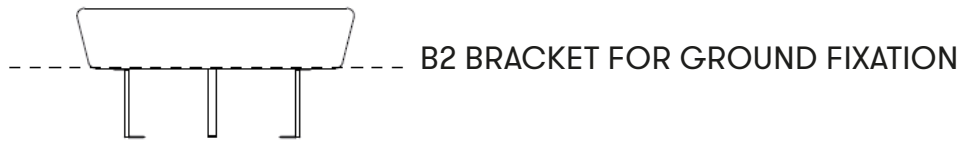
2) Sand pot

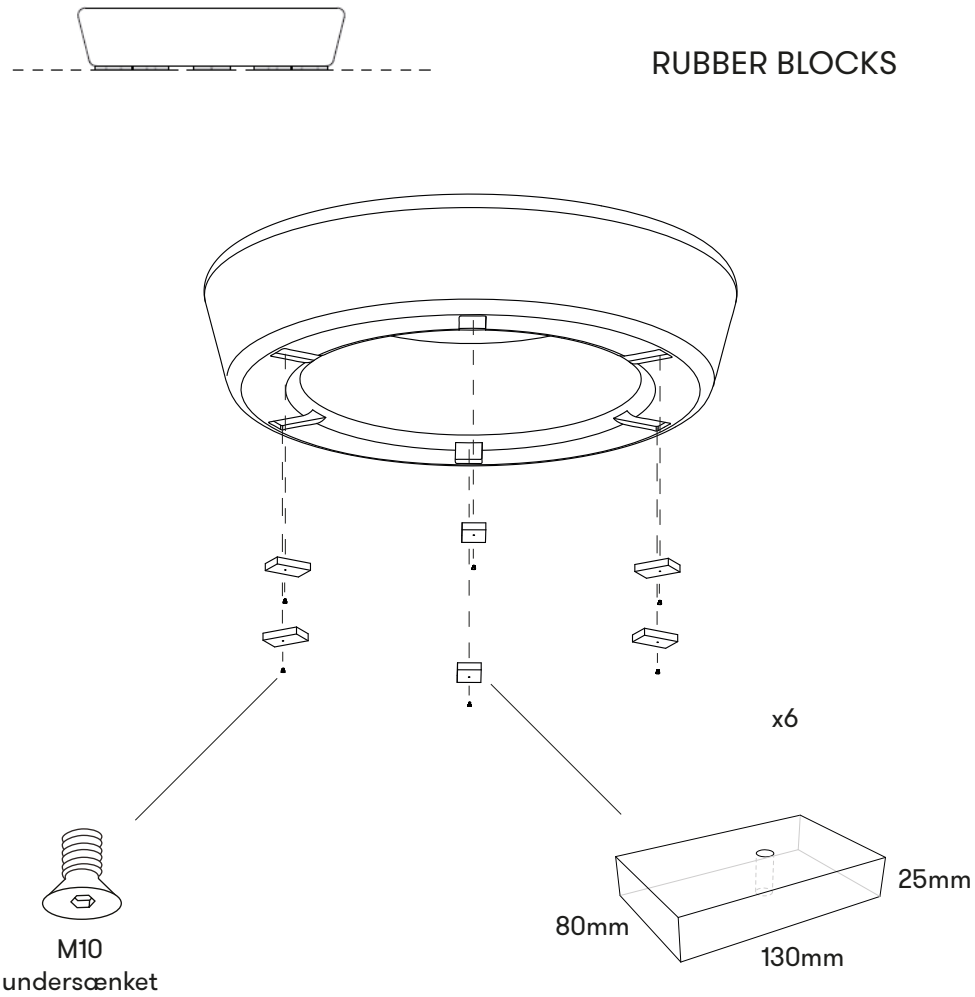


3) Compressor



4) Hose, max Ø50mm





CLEANING INSTRUCTIONS

The material polyethylene withstands almost all detergents. Polyethylene requires no maintenance. The dyed polyethylene preserves the colour - minimal fading by the sun is to be expected.

Pressure washers can be used with advantage to clean the product. This service is often offered by companies that remove graffiti.

After cleaning, use vinyl polish (same as used for car interiors) to make the product shine.

SLIP RESISTANT SURFACES

The products have a textured/granulated surface due to abrasive blasting of the mold.

This process increases friction, resulting in a less slippery surface.