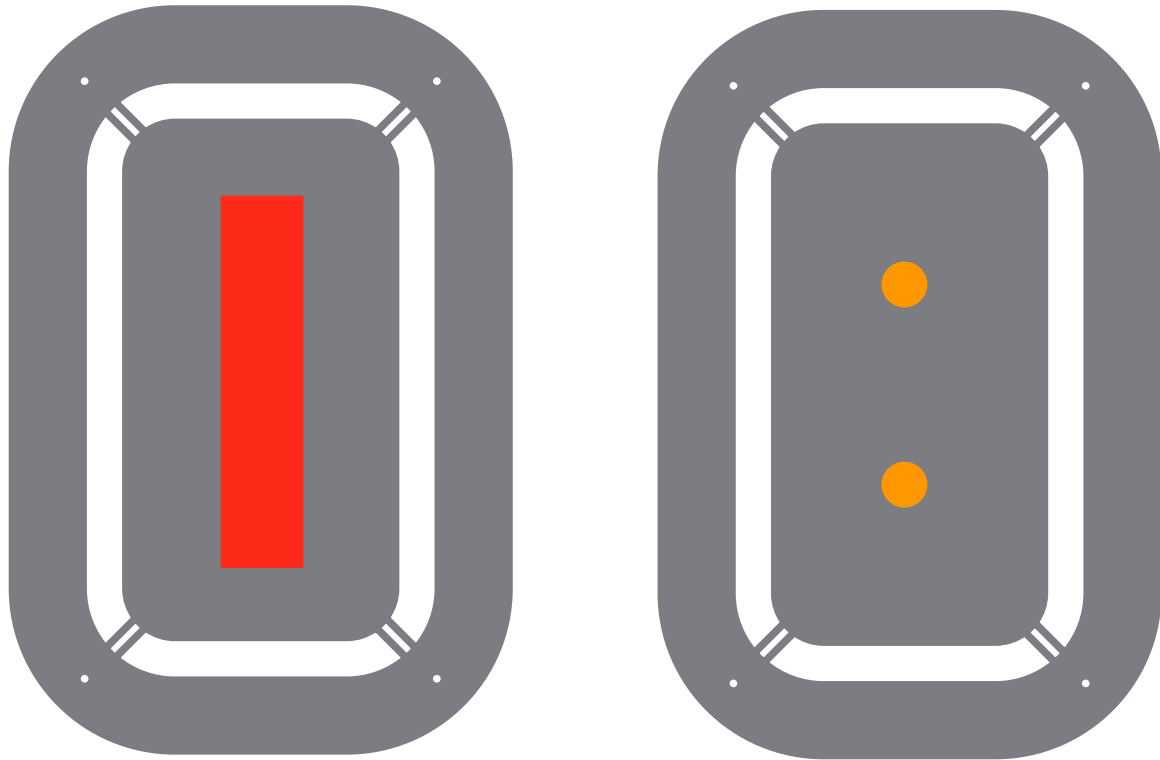


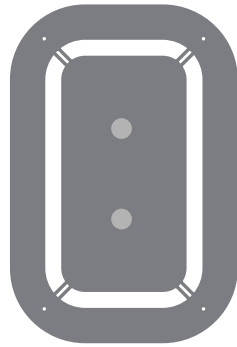
PLATEAU EXTRAS #189 + #190 + #326

MOUNTING INSTRUCTIONS





PLATEAU Sunhub



PLATEAU Point Sun

PLEASE NOTICE:

Before Plateau Extras can be mounted, the elongated discs needs to be removed from the Picnic O, I, L. For the mounting proces of the Plateau Extras, reuse the bolts and nuts used to fixate the elongated discs.

INDEX:	PAGE
Mounting of #189+190 Sunhub & Techhub.....	03
Mounting of #326 Point Sun.....	04
Cleaning.....	05

TOOLS NEEDED FOR MOUNTING (NOT INCLUDED):

- Allen key no 6
- 17mm wrench/spanner

PLEASE NOTICE:

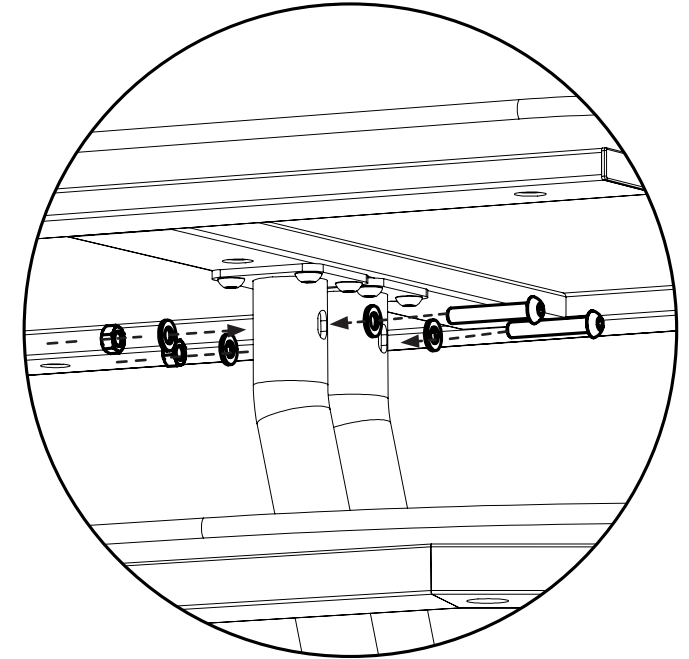
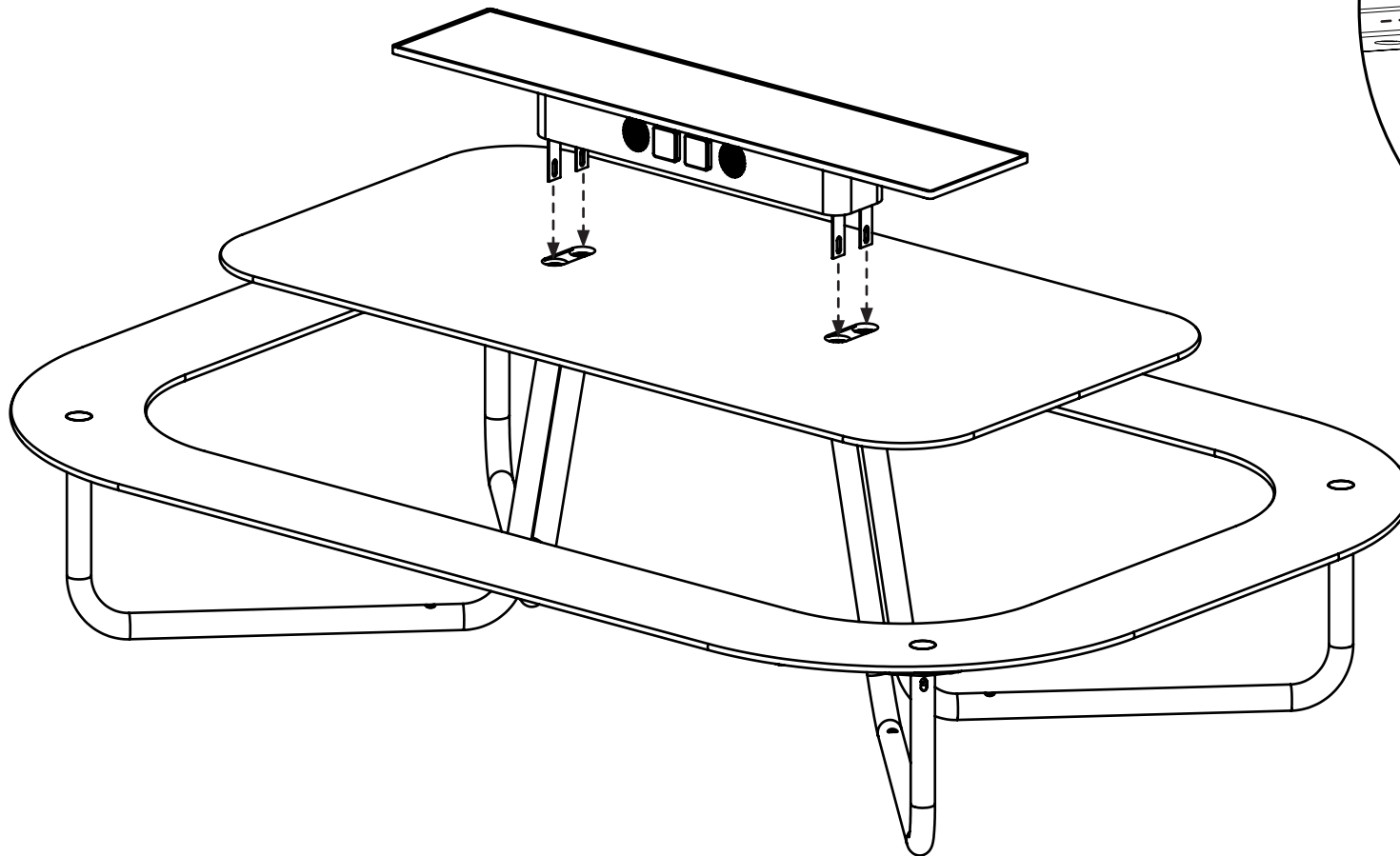
Mounting of the Plateau Extras requires two people.

SUNHUB+TECHHUB

#189 + #190

MOUNTING OF SUNHUB & TECHHUB

Reuse:
4× M10×60mm bolts.
4× M10 nuts.



Firstly, the elongated discs needs to be removed. Secondly, the Sunhub/ Techhub is placed carefully in the now exposed holes. The four bolts and nuts are reused to fixated the Sunhub/Techhub.

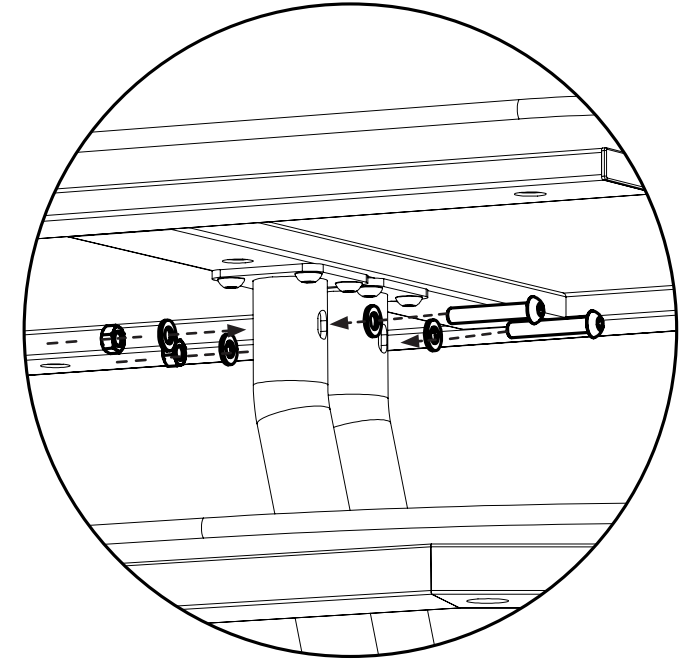
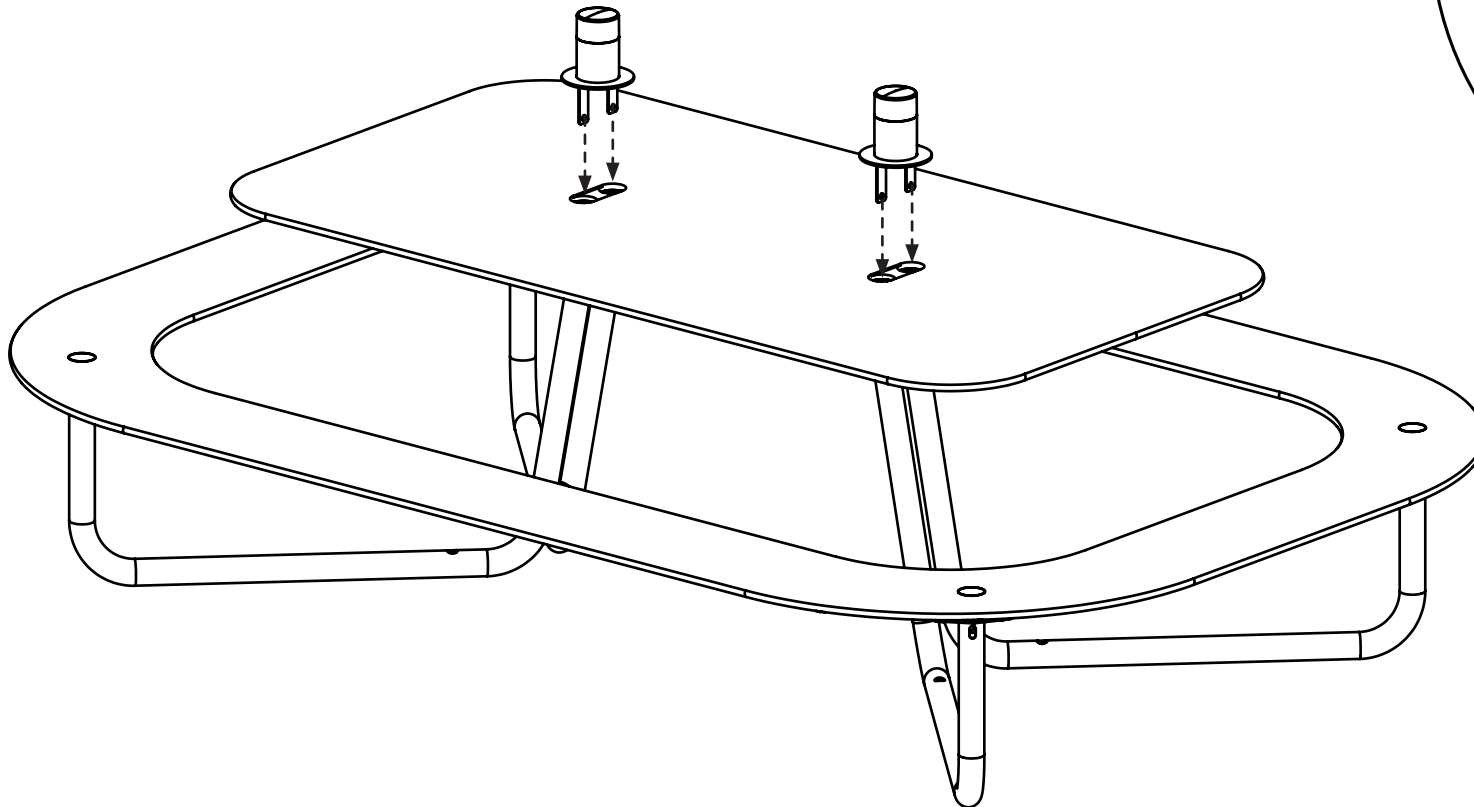
POINT SUN #326

MOUNTING OF POINT SUN

Reuse:

4× M10×60 mm bolts.

4× M10 nuts.



Firstly, the elongated discs needs to be removed. Secondly, the Point sun is placed in the now exposed hole. The bolts and nuts are reused to fixate Point Sun.

CLEANING

SUNHUB+TECHHUB

The top of Sunhub, Techhub should be kept clean and free from dirt to ensure maximum performance. It is advised, to regularly clean the top glass with water and soap or window cleaner.

The built-in power outlets and USB's in Sunhub and Techhub are classified to IP44. The product works well even in rain. Please **DO NOT** use high pressure cleaners.

CLEANING

POINT SUN

Point Sun should be kept clean and free from dirt to ensure maximum performance. It is advised, to regularly clean the top glass with water and soap or window cleaner.