

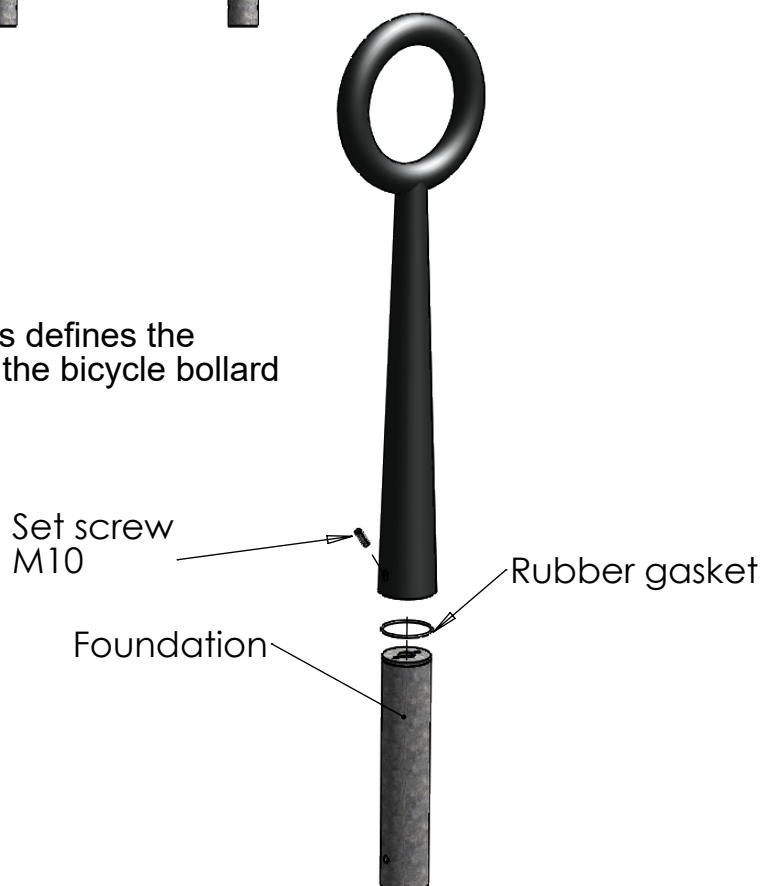
The grooves defines the direction of the bicycle bollard

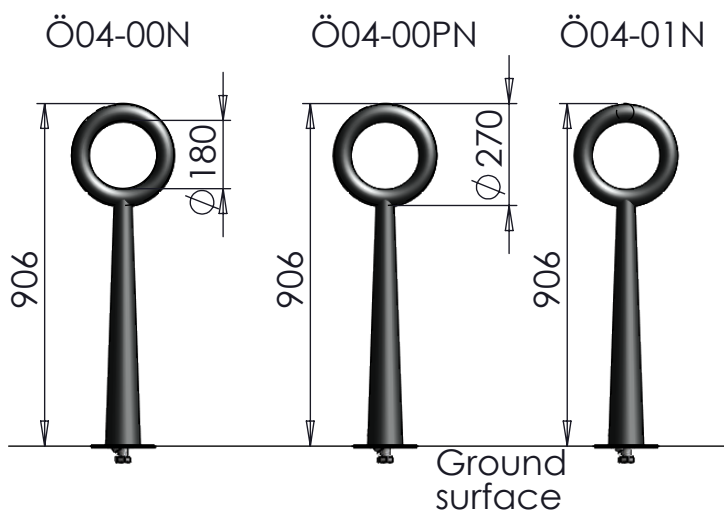
The foundation is cast into the ground.

Dig to frost-free depths, ground with drainage material and cast in the pipe to at least $\text{Ø}200$. Alternatively, use the mounting foundation of MEAG foundation 600701.

The direction of the grooves in the foundation defines the direction of the bicycle bollard.

The bollard is fortified to the foundation. The gasket is placed between the bollard and the foundation. The bollard is fixed with the set screw in the grooves in the plate. Fasten securely.





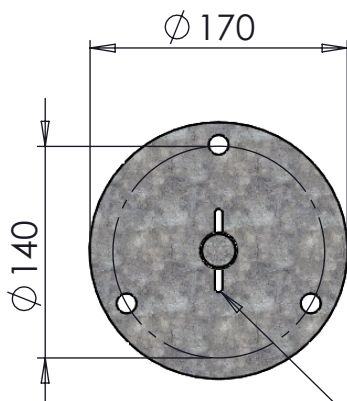
Hoop with soleplate for mounting above ground. The soleplate is used in the case that the foundation cannot be dug.

Fit the soleplate to the bollard.

Set the bollard to the selected location and mark the holes.

Drill for the chemical anchor or expander and bolt the bollard secure.

The holes are $\text{Ø}13$ for M12 fastening bolts. Since the bollards are placed on wooden floors, using French wood screws is preferable. Diameter 12mm.



The groove indicates the direction of the bollard

