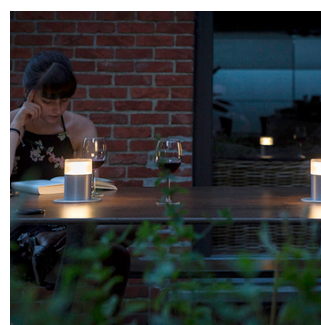
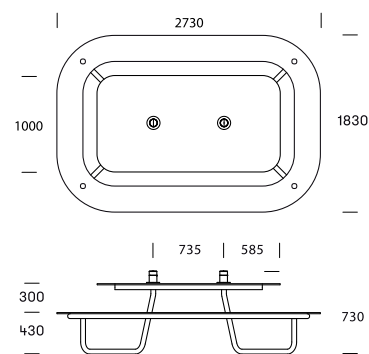


# FACTS

## PLATEAU POINT SUN # 326

Add light to PLATEAU by changing the steel discs with Point Sun. Ambient and reading light in the evening with no cables and no installation required. Point Light is 100% solar powered, resistant to weather conditions, intelligently controlled and CO2-neutral.

Design: Holscher Design



# TECHNICAL DATA

## Materials + surfaces

Base: Aluminium, primed and painted in matte silver RAL 9006, gloss 10  
Light unit: Top in UV-stabilized polycarbonat (PC), bottom in polyoxymethylene (POM).

## Dimensions & weight

Ø80 x H120 mm, weight: 1,0 kg

## Point Sun light unit

Solar cell: Monocrystalline, 300mW. Battery: NiMh, 3.6V/3.100mAh. LED: 4 x white, 3000K. Electronics: Intelligent processor controlled for optimum energy storage and light optimization incl. RTC-clock.

## Light function

During daylight hours the solar energy gets stored on a battery - through a solar cell. At dusk the light will turn on (via a preset clock) and light up all evening and night, according to the charged energy. At sunrise the light will turn off again.

The light is omni-directional and directed horizontally and downwards to the Plateau Picnic table through a reflector and frosted cylinder.

## Storage mode

Point Sun is delivered in 'storage mode'. The electronic components are in sleep mode to conserve battery charge during delivery. When Point Sun has been exposed to daylight, or powerful artificial light, for approximately two hours, the product will automatically turn on in the evening.

## Mechanical strength

IP-rating: IP 65 / IK-rating: IK 8 / Corrosion class: C4

## Assembly

2 x elongated stainless steel discs are removed. Point Sun base is placed in the exposed holes. Fasten the Point Sun base with the bolts and nuts left over from the removal of the discs.

Light unit fixated by an attached M6mm security pin.

## Maintenance

No maintenance, apart from occasional cleaning of the top and battery change.

## Lifetime

+10 years, but battery is to be changed in approx. 5 years.

## Variant

On request base is available in other RAL colours and Point Light in other light colours: blue, red, green, cool white.

## Product code

#326 Point Sun f.Plateau Picnic O,I,L incl.base (2 pcs)

#326 Point Sun f.Plateau Picnic Round incl.base (1 pcs)

#326 Point Sun f.Plateau Picnic Street/Duo incl.base (1 pcs)