

FACTS

PLATEAU PICNIC L

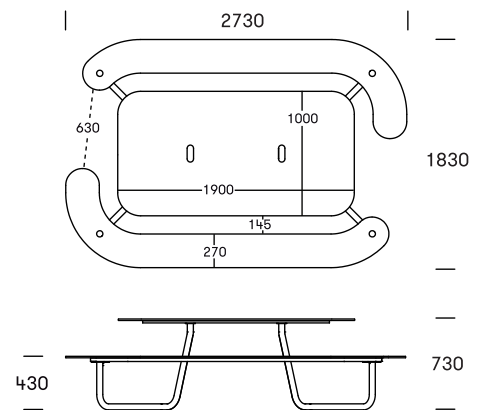
177

PLATEAU presents a stringent - almost graphic - expression firmly rooted in the Scandinavian design tradition. Designed to provide numerous seats in socially oriented formations, Plateau is produced from durable materials requiring no other maintenance than soap and water.

Three available models provide accessibility for all kinds of users. Combining the models in different ways provides a variety of solutions both functionally and aesthetically - and can even be extended with a backrest.

PLATEAU Picnic L has two benches providing staggered access to the table along a flat diagonal with each bench forming a letter L. This allows easy access for the walking impaired. Seats 8-10.

Design: Holscher Design



TECHNICAL DATA

Material

Seat/tabletop and backrest: robust, multi-layered and dyed 12mm compact laminate available in 6 colours. Highly UV- and weather-resistant, solid mechanical quality and durability. Frame: Hot galvanized steel or hot galvanized steel + textured, anthracite powder paint. Approx. colour code RAL 7024. Disc: Bead blasted stainless steel.

Dimensions

L2730 x B1830 x H730mm
Seats 8-10.

Fixation

4 x Ø14mm holes. For surface fixation.

Extras

#197 Plateau backrest f. Plateau Picnic O,I,L: Backrest in same material, colours etc. can easily be mounted on both sides of the table. Consist of a backrest in compact laminate and a hot galvanized steel frame to be fixated on the lower side of the seats with screws (attached). 1.9m long and 0.3m high.

Variant

Frame + compact laminate are available in other colours.

Family

Picnic I+O, Plint, bench, wall version, City Chair, Duo, Table Round, Table Picnic Round, Street

Maintenance

Maintenance-free and easy to clean. Graffiti removes easily.

Design Protection

Registered EU community design /
number 0033426090002

Product code

177 1126 PLATEAU Picnic L, golden yellow HPL/galv./122 kg
177 1118 PLATEAU Picnic L, olive HPL/galv./122 kg
177 1105 PLATEAU Picnic L, steel blue HPL/galv./122 kg
177 1125 PLATEAU Picnic L, terracotta HPL/galv./122 kg
177 1123 PLATEAU Picnic L, corten HPL/galv./122 kg
177 1122 PLATEAU Picnic L, cave HPL/galv./122 kg

177 1226 PLATEAU Picnic L, golden yellow HPL/paint./122 kg
177 1218 PLATEAU Picnic L, olive HPL/paint./122 kg
177 1205 PLATEAU Picnic L, steel blue HPL/paint./122 kg
177 1225 PLATEAU Picnic L, terracotta HPL/paint./122 kg
177 1223 PLATEAU Picnic L, corten HPL/paint./122 kg
177 1222 PLATEAU Picnic L, cave HPL/paint./122 kg

197 xxxx PLATEAU Backrest f. Picnic O/I/L

Standard colours (approx. RAL)

